

## INSTALLATION INSTRUCTIONS

### OMNI-TW-R3-WH



#### ⚠ WARNING

These products may represent a possible shock or fire hazard if improperly installed or attached in any way. Products should be installed in accordance with these instructions, current electrical codes, and/or the current National Electric Code (NEC).

#### ⚠ WARNING

To avoid electrical shock, disconnect or disable power at the source prior to installation or maintenance.

#### ⚠ WARNING

To avoid electrical shock, use only with included 24V DC plug-in power supply.

#### SAFETY INFORMATION

- Read all instructions before beginning. Save these instructions for future use.
- To reduce the risk of fire, electric shock, or injury to persons, pay close attention to this manual and stay within its guidelines when using this product.
- The Omni Puck is intended for indoor use in dry locations only. Do not use in the vicinity of standing water or liquids. Do not submerge in water or liquids.
- Do not use if there is any damage to the unit or to the insulation on any cords. Inspect periodically.
- Do not route cords or units through walls, doors, windows, or any similar part of a building structure. Only route cords so they will not be pinched or damaged.
- Do not secure unit or its power cord with staples, nails, or any other sharp objects that may damage fixture.
- Not intended for recessed installation inside enclosed cabinetry (cabinets that are not open at the top). Not intended for recessed installation in ceilings or soffets.
- Do not alter plugs or connectors.
- Keep away from curtains, draperies, and other similar flammable materials.
- LEDs are bright! Do not look directly at lighted fixture.
- LEDs are not serviceable. Do not attempt to open or service LEDs or LED housing.
- For cleaning, use a soft, dry or damp cloth. Do not use harsh chemicals or abrasives.

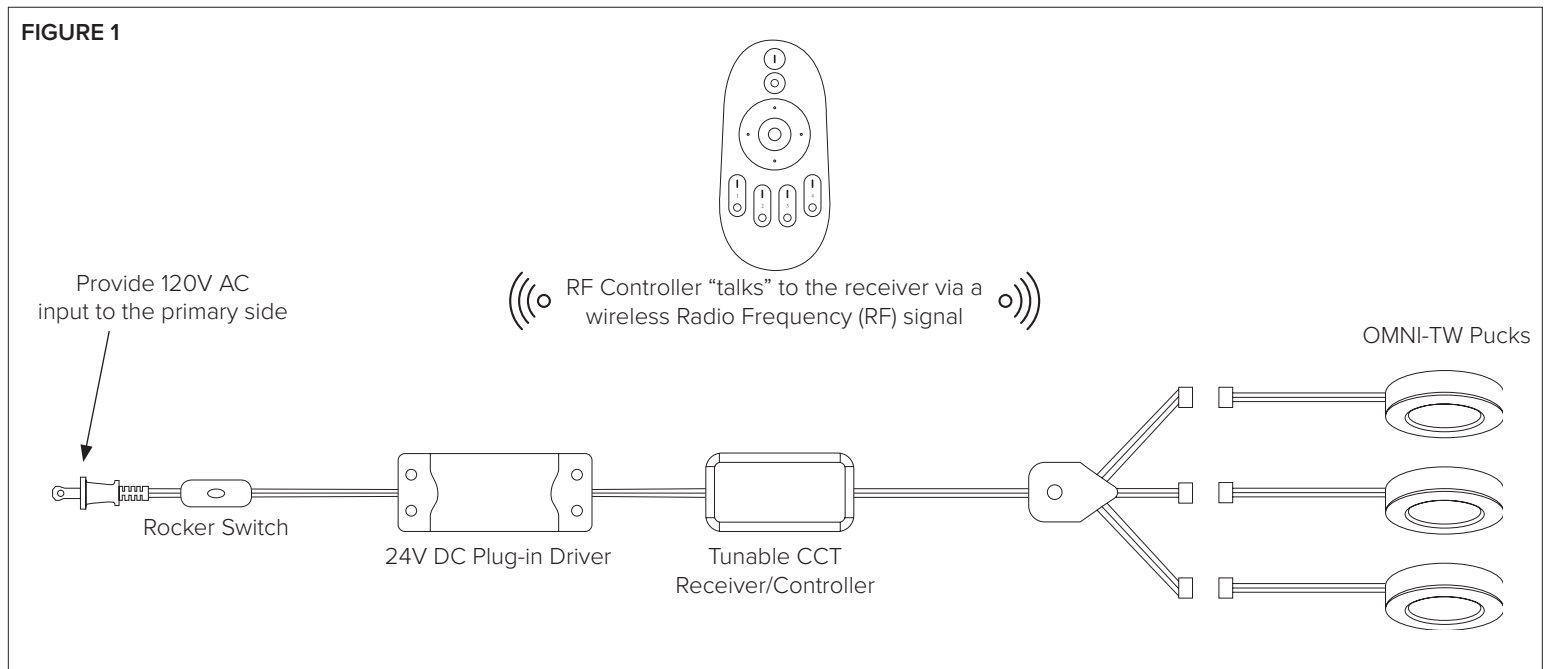
#### ADDITIONAL SAFETY INFORMATION:

Omni Tunable 3-puck kits include (1) 24V DC plug-in driver (120V input/.24V DC output, 12W max, cETLus Listed), (1) remote receiver with 3-port hub, and (1) remote controller for tunable control. Each plug-in driver and receiver combo can control up to 3 pucks. Do not exceed the maximum number of pucks per power supply. Do not modify plug-in driver or receiver combo.

#### PRIOR TO INSTALLATION:

Determine the locations of the Omni pucks to be installed and consider the location of the plug-in power supply and distance to pucks. Also consider whether pucks will be surface or recessed mounted. Each plug-in driver and receiver combo can control up to 3 pucks each. Do not exceed the maximum number of pucks per power supply. See Figure 1.

FIGURE 1



#### PRODUCT INFORMATION:

Omni Tunable 3-Puck Kits include 3 pucks with 76" 3-conductor lead wires and plastic power connector; hub with three 10" 3-conductor leads with mating plastic connectors, 9" 3-conductor lead to connected receiver and 8" 3-conductor to cETLus Listed 12W plug-in driver (120V input/24V DC output) with 78" power cord and inline rocker switch; and remote control (requires 2 x 3AAA batteries, not included).

## INSTALLATION INSTRUCTIONS

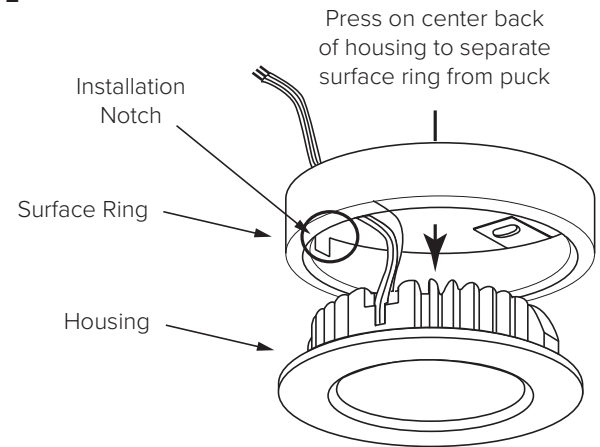
### OMNI-TW-R3-WH



#### SURFACE MOUNTING:

1. Separate the surface ring from the Omni puck housing. With the puck lens facing away from you, hold the surface ring with fingers and press on the center of the back of the puck with thumbs to separate housing from surface ring. See Figure 2.
2. Determine desired locations for each puck and mark the locations of the mounting holes on the mounting surface using the surface ring as a template. Note: Each puck has a 72" lead wire which needs to be routed to the receiver. Be sure to locate the driver so that each puck's lead can reach it.
3. Before attaching the surface ring to the mounting surface, route the lead wire through the installation notch or through a 1/4" hole if there is access above to route the leads. See Figure 2.
4. Secure surface ring using appropriate mounting hardware.
5. Gently push the puck light into the surface ring until it is fully seated, making sure the lead wire is not pinched or crimped in any way.
6. Repeat for each additional puck.

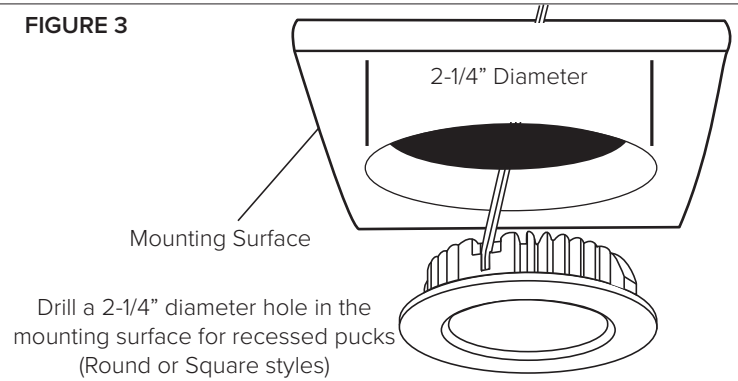
FIGURE 2



#### RECESSED MOUNTING:

1. Separate the surface ring from the Omni puck housing (refer to Step 1 under SURFACE MOUNTING). Discard the surface ring.
2. Determine desired locations for each puck and mark the locations of their centers on the mounting surface.
3. Drill a 2-1/4" diameter hole at each marked location for either round or square OMNI-TW pucks. See Figure 3.
4. Route the puck's lead wire through the hole and press the Omni puck in until it is fully seated, making sure the lead wire is not pinched or crimped in any way. The side spring clips will hold the puck light in place. Repeat for each additional puck.

FIGURE 3



#### CONNECTING POWER:

1. Once pucks are secured to the mounting surface, route each of the lead wires to the hub. Each puck's lead wire is 76" in length.
2. Plug each puck's lead wire into the hub via the connection lead wires.

#### CONTROLLING THE TUNABLE PUCK LIGHT SYSTEM (See Figure 4):

NOTE: The signal range for the remote control is 65 feet. It uses a Radio Frequency (RF) signal to control the receiver's output to the puck lights.

1. To sync a Tunable CCT Receiver to the controller, press the desired "Zone On" button within 3 seconds of powering on selected puck light kits. The light will blink 3 times if successful.
2. Use Master ON and Master OFF buttons to turn on and off the puck lights, respectively. Use the touch control wheel to adjust the brightness. Rotate the touch control wheel in a counter-clockwise direction to dim the light and in a clockwise motion to increase brightness.
3. Press the mode button located in the center one time to enter the tuning mode. Rotate the touch control wheel in a counter-clockwise direction to lower the color temperature (adjusting the light's appearance to a warmer color) and in a clockwise motion to increase the color temperature (adjusting the light's appearance to a cooler color). To switch back to brightness control, press the mode button once more.
4. The system can be used as a night light. Press and hold the Off (O) side of the Zone 1 button until the brightness changes. Now the lights will emit approximately 20 lumens and consume only 0.4 watts, instead of their typical 2.8 watts. To exit out of night light mode, press the On (I) side of the Zone 1 button and the lights will return to their last setting.
5. To clear data from the controller, press any of the "Zone On" buttons five times in succession. The light will blink 10 times if clearing is successful.

FIGURE 4

