

OMNI Puck

Installation instructions for OMNI-3KIT and OMNI-1 Series

WARNING: These products may represent a possible shock or fire hazard if improperly installed or attached in any way. Products should be installed in accordance with these instructions, current electrical codes and/or the current National Electric Code (NEC).

WARNING: To avoid electrical shock, disconnect or disable power at the source prior to installation or maintenance.

WARNING: To avoid electrical shock, use only with 12V DC plug-in power supply or with 12V DC hardwire power supply. Factory warranty will be void if used with a non-recommended power supply, transformer, or driver.

IMPORTANT SAFETY INSTRUCTIONS

1. The OMNI Puck is IP44 rated and intended for indoor use in dry locations only. Do not use in the vicinity of standing water or liquids. Do not submerge in water or liquids.
2. Do not use if there is any damage to the unit or to the power cord's insulation. Inspect periodically.
3. Do not route cords or units through walls, doors, windows or any similar part of a building structure.
4. Do not secure unit or its power cord with staples, nails, or any other sharp objects that may damage fixture.
5. Please read and understand these instructions before beginning installation.

IMPORTANT

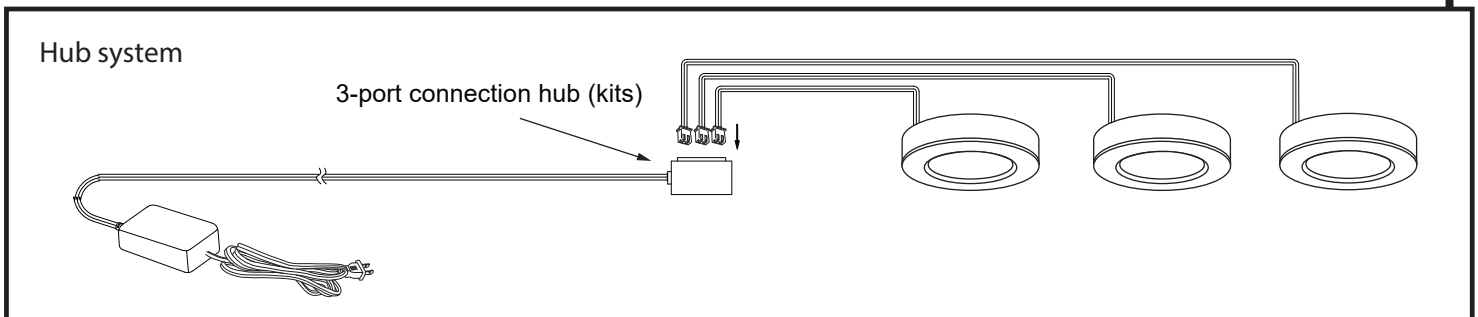
Risk of shock or fire hazard: This fixture utilizes a constant voltage design and has a maximum number of pucks that can be connected to a power supply, depending upon the power supply's capacity and the type of installation. Do not exceed capacity of power driver used, nor maximum number of pucks per the examples below. Each puck consumes 3 watts. For all drivers, a maximum load less than or equal to 80% of its capacity will result in maximum driver life.

PRIOR TO INSTALLATION:

3-light OMNI Kits (OMNI-3KIT-XX items) include three OMNI Pucks with surface mounting hardware and a plug-in 12-watt power supply, c/UL/us Listed for indoor use with attached 6ft power cord and 3-port connection hub on a 24AWG lead, also 6 feet in length. Kits are designed to be used in a hub system as illustrated below.

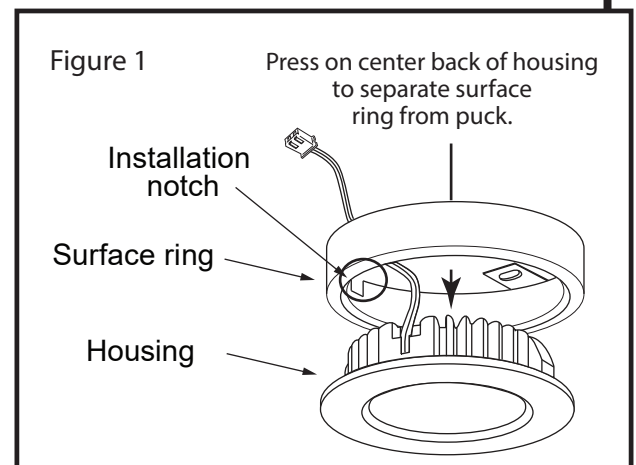
Bulk/individual OMNI Pucks (OMNI-1-XX items) are available to build systems with more or less than three pucks. Bulk pucks have a 24 AWG lead wire, 6 feet in length, each of the two conductors is stripped back to 3/8" for attaching to a plug-in or hardwire driver with a regulated 12V DC output.

Determine the quantities and locations of OMNI Pucks that will be needed, whether pucks will be surface mounted or recessed, and what type of power supply (plug-in or hardwire) will be best.



Surface mounting

1. Separate the surface ring from the OMNI Puck housing. With the puck lens facing away from you, hold the surface ring with your fingers and press on the center of the back of the puck with your thumbs to separate housing from surface ring. See Figure 1.
2. Determine desired locations for each puck and mark the locations of the mounting holes on the mounting surface, using the surface ring as a template. Note: Each puck has a 72" lead wire which needs to be routed to the power connection hub (for kits) or to the driver (for bulk pucks). Be sure to locate the puck lights and power hub (or driver) so that each puck can reach it.
3. Before attaching the surface ring to the mounting surface, route the lead wire through the installation notch. See Figure 1.
4. Secure surface ring using appropriate mounting hardware.
5. Gently push the puck light into the surface ring until it is fully seated, making sure the lead wire is not pinched or crimped in any way.



Continued on next page...

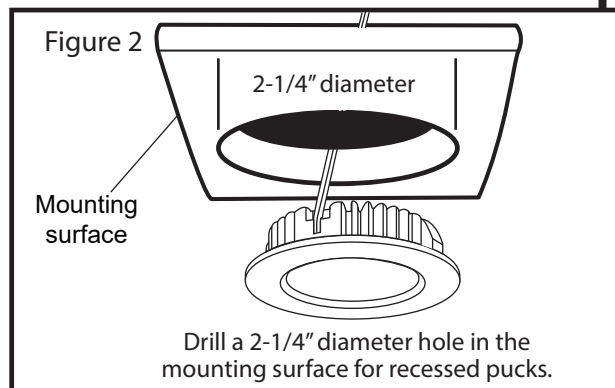
OMNI Puck

Installation instructions for OMNI-3KIT and OMNI-1 Series

Continued from reverse...

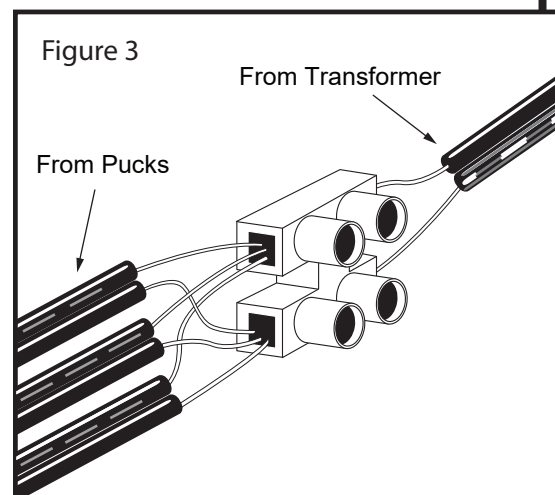
Recess mounting

1. Separate the surface ring from the OMNI Puck housing. Refer to Figure 1 and step 1 on reverse. Discard the surface ring. It will not be needed for recessed installations.
2. Determine desired locations for each puck and mark the locations of their centers on the mounting surface.
3. Drill a 2-1/4" diameter hole in each marked location. See Figure 2.
4. Route the puck's lead wire through the hole and press the OMNI Puck in until it is fully seated, making sure the lead wire is not pinched or crimped in any way. The side spring clips will hold the puck light in place.



POWER CONNECTION:

1. Determine best location for the power connection hub or driver, considering the 72" lead wire length on each puck.
2. Route each of the lead wires from the puck lights to an available port on the hub (for kits) or to the driver or connection block for the bulk pucks.
3. For kits, after lead wires are connected to the hub, plug in the power supply to a 120V AC wall outlet (receptacle).
4. For bulk systems using a bulk plug-in power supply (PS-12-12VPI-T), route the lead wire to the terminal block, separate the Red and Black lead wires, then attach them to the terminal block, matching polarity as follows: Red lead wires twisted together, lining up with dashed lead from power supply and Black lead wires twisted together, lining up with Black lead from power supply. See Figure 3.
5. For bulk systems using a hardwire power supply, separate the Red and Black lead wires per step 4 above, then attach them to the power supply matching polarity as follows: Red wires twisted together to the negative terminal and Black wires twisted together to the positive terminal.
6. Connect supply power to the hardwire power supply per its instructions.



WARNING! Risk of shock.

1. Combining bulk puck lights that consume 3.2 watts each will need a driver with a capacity able to handle the attached load. For sets of up to nine puck lights, use LED-DR30-12. This is the maximum number of pucks that can be connected to one power supply. Do not exceed the maximum.
2. Do not attempt to remove or change the LEDs in these fixtures.
3. Do not route wires through walls, floors or ceilings.
4. Route cords so they will not be pinched or damaged.
5. Do not alter plugs or connectors.
6. Not intended for recessed installation inside enclosed cabinetry (cabinetry that is not open at the top).

ADDITIONAL SAFETY MEASURES:

1. Use only insulated staples or plastic ties to secure cords.
2. Not intended for recessed installation in ceilings or soffits.
3. LEDs are bright! Do not look directly at lighted fixture.
4. Keep lamp away from curtains, draperies and similar flammable materials.
5. LEDs are not serviceable. Do not attempt to open or service LEDs or LED housing.
6. For indoor use only.

IMPORTANT SAFETY INSTRUCTIONS:

The plug-in power supplies have a polarized plug (one blade is wider than the other) as a feature to reduce the risk of electric shock. This plug will fit in a polarized outlet only one way. If the plug does not fit fully in the outlet, reverse the plug. If it still does not fit, contact a qualified electrician. Never use with an extension cord unless plug can be fully inserted. Do not alter the plug.