

INSTALLATION INSTRUCTIONS

SGL4-12-30-RD1



⚠ WARNING

These products may represent a possible shock or fire hazard if improperly installed or attached in any way. Products should be installed in accordance with these instructions, current electrical codes, and/or the current National Electric Code (NEC).

⚠ WARNING

Disconnect supply power from source prior to attempting installation.

⚠ WARNING

Use only with 12V DC drivers with a wattage capacity that can handle the total load.

SAFETY INFORMATION

- Read all instructions before beginning. Save these instructions for future use.
- To reduce the risk of fire, electric shock, or injury to persons, pay close attention to this manual and stay within its guidelines when using this product.
- This product requires a power input in the range of 12V DC and requires the use of an LED driver. Confirm source voltage is compatible prior to installation. Do not supply power to the LED driver until the LED light engine lead wires are connected to the LED driver.
- Disconnect supply power at the source prior to installation.
- This fixture has no serviceable parts. Do not take apart LED light engine.
- LEDs are bright. Do not look directly into fixtures.
- This product is designed for recessed mounting only. It can be used in indoor and outdoor locations. Use only a standard depth single gang junction box for rough-in.
- This product is suitable for wet location use in outdoor locations only when used with a watertight junction box (not included) and gasket (included).
- This fixture is suitable for installation where ambient temperatures do not exceed 140°F (60°C) during anticipated hours of fixture operation.
- Size your 12V DC driver appropriately according to the amount of power being drawn. Be sure not to load a driver to 100% as this will reduce its efficiency; a 90% maximum load is recommended.

PRE-INSTALLATION

Rough-in: This product does not require a proprietary rough-in box and is installed using pre-attached spring clips. For best results, mounting surface thickness should be no less than 7mm. The cut-out hole size required is 1-3/8" (35mm).

Faceplate: Each LED Light module includes 2 faceplate options with optional scoop insert (1 black and 1 white).

If you have any doubts about how to install this lighting fixture, or if the fixture fails to operate completely, consult a local licensed electrician.

INSTALLATION (SEE FIGURES 1 & 2):

Disconnect supply power from source prior to installation.

1. Determine location of installation. Ensure fixture is being installed in a sturdy surface at least 7mm in thickness. Cut a 1-3/8" (35mm) diameter hole into mounting surface at desired location.
2. Connect the LED light engine's lead wires to the output side of an appropriate 12V DC LED driver, ensuring to match polarity (solid white wire is negative, dashed wire is positive).
3. Connect supply wires from the input side of the 12V DC LED driver to the 120V source wires, ensuring to match polarity.
4. Screw the chosen faceplate on to the front of the LED light engine (optional scoop insert also included).
5. Push the light fixture into the hole cut during Step 1.

FIGURE 1

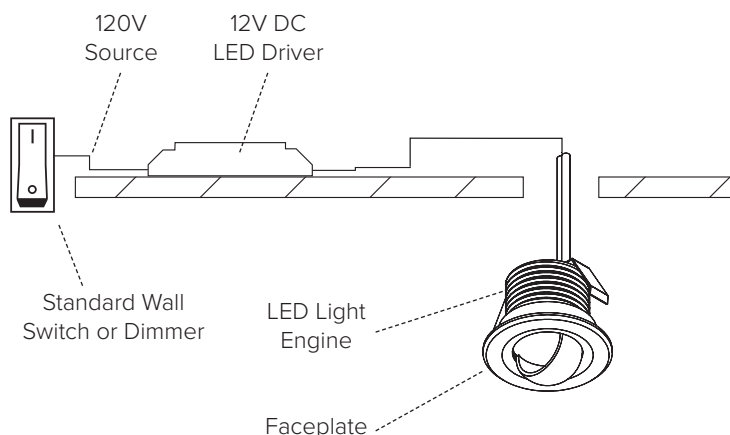


FIGURE 2

