

INSTALLATION INSTRUCTIONS

TWRF-3AAA



⚠ WARNING

These products may represent a possible shock or fire hazard if improperly installed or attached in any way. Products should be installed in accordance with these instructions, current electrical codes, and/or the current National Electric Code (NEC).

⚠ WARNING

This controller is battery operated and requires 3x AAA batteries (not included).

SAFETY INFORMATION

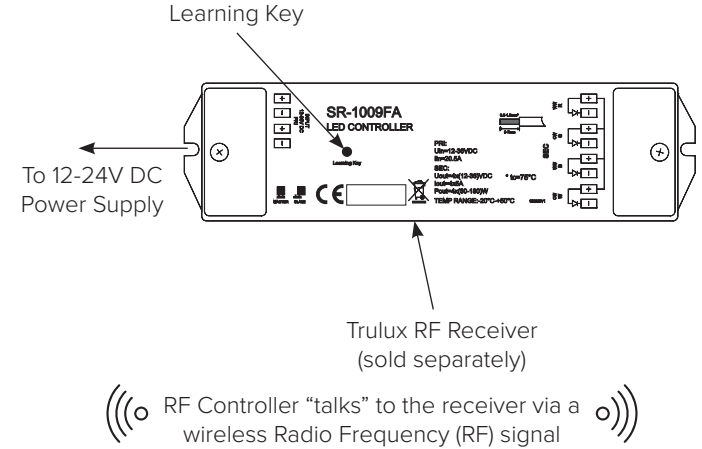
- Read all instructions before beginning; Save these instructions for future use.
- To reduce the risk of fire, electric shock, or injury to persons, pay close attention to this manual and stay within its guidelines when using this product.
- This controller is rated IP20; avoid the sun and moisture.
- Avoid using controller in areas where extreme hot, cold, dust, or humidity exist.
- This controller is suitable for indoor, dry locations only.
- Always be sure to store this controller in an area with proper ventilation to avoid overheating.

SYNCING CONTROLLER TO RECEIVER (SEE FIGURES 1 & 2):

This controller is battery operated and requires 3x AAA batteries (not included). This controller requires a Radio Frequency receiver for operation (REC-5A-4Z or REC-5A-4Z-WiFi sold separately).

1. Press the power button on the controller once to turn on power to the controller.
2. Press the “Learning Key” on the receiver.
3. Select a zone by pressing one of the four zone buttons on the controller, then touch color temperature wheel to activate controller.
4. Once successfully synced, the connected light source will blink.
5. Repeat steps 2-3 when syncing multiple receivers to a single controller.
6. Press and hold the “Learning Key” to clear out saved sync data when wanting to reset scenes or zones.

FIGURE 1

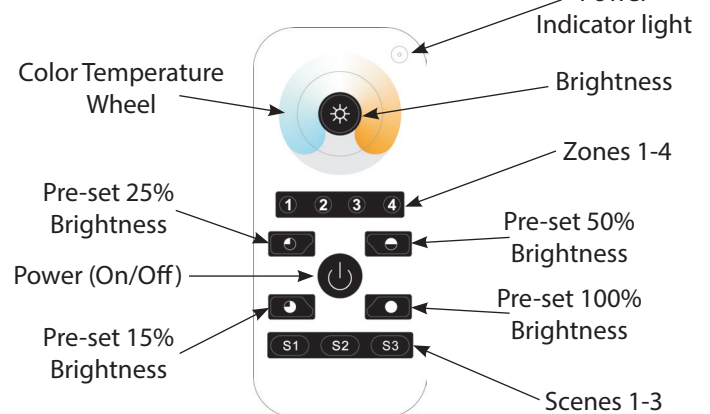


OPERATING CONTROLLER (SEE FIGURE 2):

This controller is battery operated and requires 3x AAA batteries (not included).

1. Press power button in center of remote for On/Off power control. The power indicator light will turn on when remote is awake.
2. Touch and slide the color temperature wheel for cool to warm CCT control.
3. Press and hold brightness button in center of color temperature wheel for up/down 1-100% brightness control.
4. Press the pre-set brightness buttons for 15%, 25%, 50%, or 100% pre-set brightness levels.
5. To select a zone, press one of the four zone buttons once. Memory can select multiple zones simultaneously.
6. To save a scene, determine desired settings, press and hold scene button for 2 seconds. Memory will hold 3 scenes per zone.
7. To select a scene, press one of the three scene buttons once.

FIGURE 2



CARE AND MAINTENANCE:

1. For cleaning, use a soft, dry or damp cloth. Do not use harsh chemicals or abrasives.
2. This controller is battery operated and requires 3x AAA batteries (not included). If swallowed, batteries could cause severe injury or death. Seek medical attention immediately. Non-rechargeable batteries are not to be recharged. Remove exhausted batteries from the product; Please dispose of batteries properly. Do not dispose of batteries in fire; Batteries may explode or leak.



INSTALLATION INSTRUCTIONS

TWRF-3AAA

**FCC Compliance Statement**

This device complies with part 15 of the FCC Rules. Operation is subject to the following two conditions:

1. This device may not cause harmful interference, and
2. This device must accept any interference received, including interference that may cause undesired operation.

FCC WARNING

This equipment has been tested and found to comply with the limits for a Class B digital device, pursuant to Part 15 of the FCC Rules. These limits are designed to provide reasonable protection against harmful interference in a residential installation. This equipment generates, uses and can radiate radio frequency energy and, if not installed and used in accordance with the instructions, may cause harmful interference to radio communications. However, there is no guarantee that interference will not occur in a particular installation. If this equipment does cause harmful interference to radio or television reception, which can be determined by turning the equipment off and on, the user is encouraged to try to correct the interference by one or more of the following measures:

- Reorient or relocate the receiving antenna.
- Increase the separation between the equipment and the receiver.
- Connect the equipment into an outlet different from that to which the receiver is connected.
- Consult the dealer or an experienced radio/TV technician for help.