

# ADVANTAGE DIRECT SELECT

## Selectable 5CCT Remodel Downlight

The Advantage Select 5CCT downlight offers 5 selectable color temperatures in one compact package. The selectable CCT switch is located on the back of the downlight housing and can be adjusted on the fly. This feature is also beneficial when it comes time to remodel providing a simple way to update lighting to match a new color scheme or design.

- Excellent color rendering (90+ CRI)
- Five selectable color temperatures:  
2700K / 3000K / 3500K / 4000K / 5000K
- Lumen output up to 1900 Lumens
- Available in 2", 4", 6" and 8" sizes
- Dimmable with most TRIAC dimmers
- Spring loaded mounting clips
- Type IC and cETLus Listed for wet locations
- 50,000 hours rated life
- ENERGY STAR Certified and JA8 Compliant



PROJECT:
TYPE:
LOCATION:
CATALOG NUMBER:



AD2RE-5CCT



AD4RE-5CCT



ADRE6-5CCT



AD8RE-5CCT

### ADVANTAGE DIRECT SELECT SERIES QUICK SPECS

<b>VOLTAGE</b>	120V AC, 60Hz
<b>WATTAGE</b>	5.5W / 10W / 15W / 25W
<b>LUMENS</b>	400Lm / 900Lm / 1200Lm / 1900Lm
<b>CCT OPTIONS</b>	2700K / 3000K / 3500K / 4000K / 5000K
<b>CRI</b>	90+
<b>MOUNTING</b>	Recessed mount
<b>DIMMING</b>	TRIAC (10 - 100%)
<b>BEAM ANGLE</b>	36° (AD2RE) / 95° (AD4RE, AD6RE, AD8RE)
<b>OPERATING TEMP</b>	-20°C (-4°F) to 40°C (104°F)
<b>CERTIFICATIONS</b>	Type IC; cETLus Listed - Wet Location
<b>RATED LIFE</b>	50,000 Hours

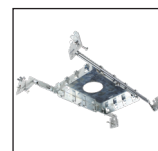
\*LUMENS LISTED BASED ON 4000K CCT SETTING

### ADVANTAGE DIRECT SELECT ORDERING INFORMATION

ITEM NUMBER	DESCRIPTION	FINISH	VOLTAGE	CCT	CRI	LUMENS	WATTAGE	DIMMING
AD2RE-5CCT-WH	Direct Select 2	White	120V	5-CCT	90+	400Lm	5.5W	TRIAC
AD4RE-5CCT-WH	Direct Select 4	White	120V	5-CCT	90+	900Lm	10W	TRIAC
AD6RE-5CCT-WH	Direct Select 6	White	120V	5-CCT	90+	1200Lm	15W	TRIAC
AD8RE-5CCT-WH	Direct Select 8	White	120V	5-CCT	90+	1900Lm	25W	TRIAC

### ADVANTAGE DIRECT SELECT ACCESSORIES

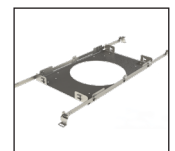
ITEM NUMBER	DESCRIPTION
RP-H-E2	2" New Construction Rough-in Plate with Hanger Bars
RP-2/4/6	4"/6" New Construction Rough-in Plate with Hanger Bars
RP-EM8	8" New Construction Rough-in Plate with Hanger Bars



RP-H-E2



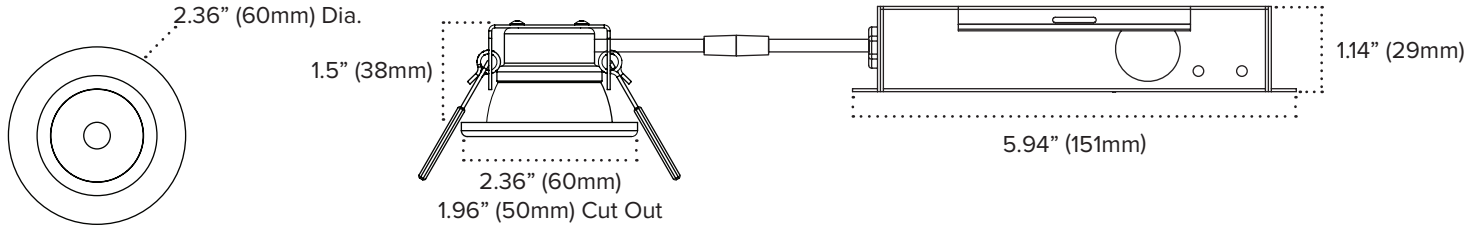
RP-2/4/6



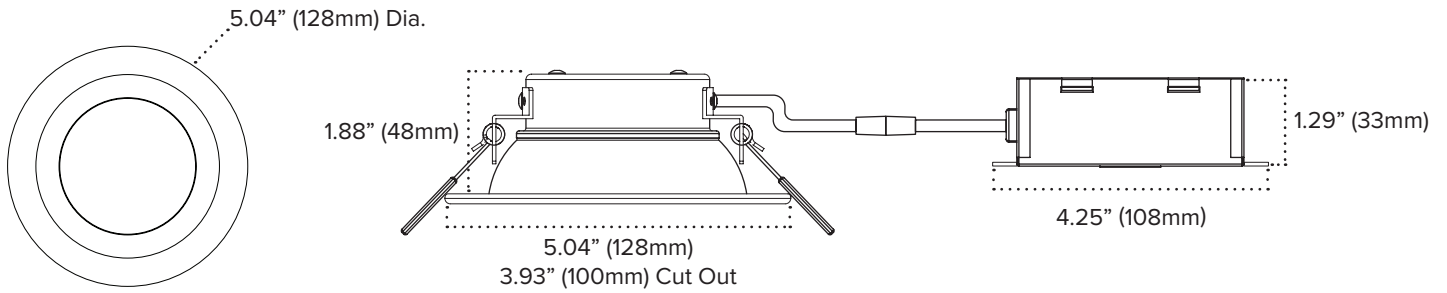
RP-EM8

**ADVANTAGE DIRECT SELECT DIMENSIONS**

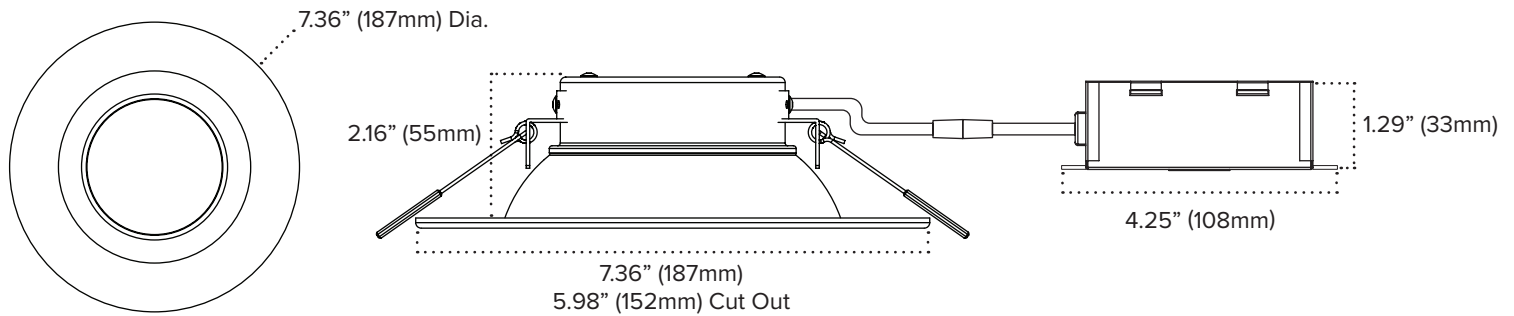
**AD2RE-5CCT**



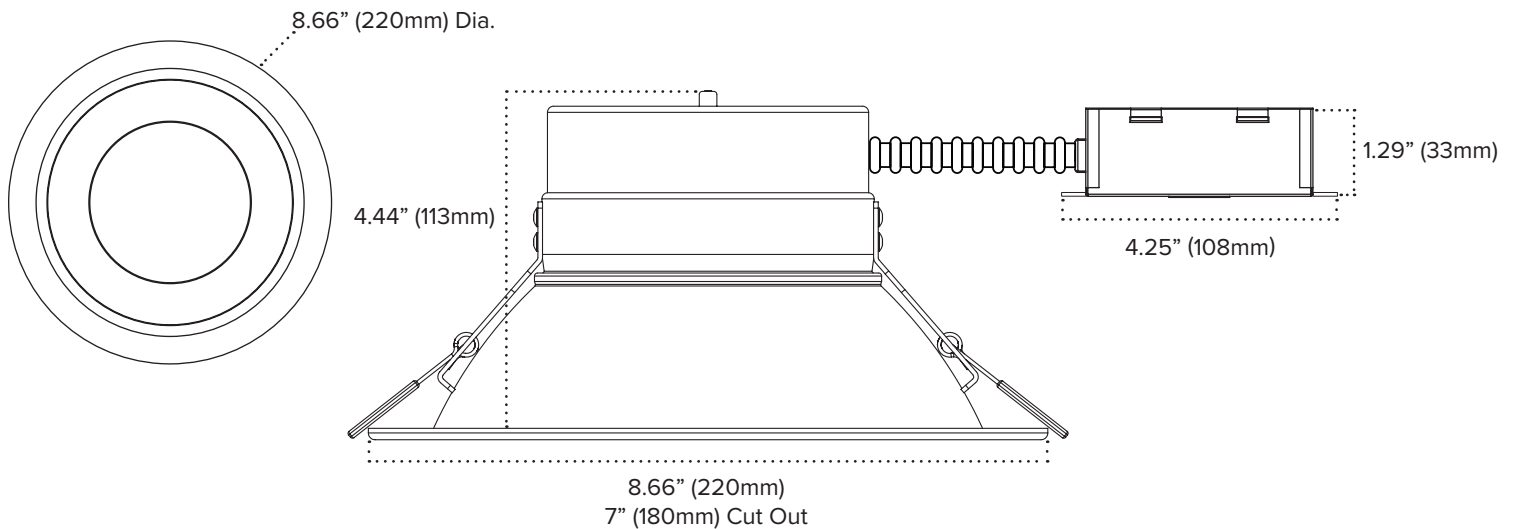
**AD4RE-5CCT**



**AD6RE-5CCT**



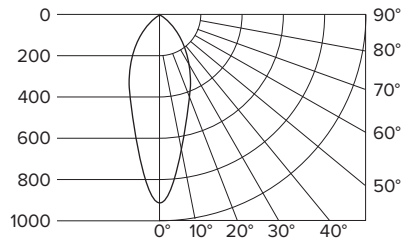
**AD8RE-5CCT**



**ADVANTAGE DIRECT SELECT PHOTOMETRICS**

**AD2RE**

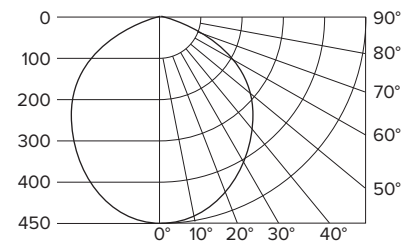
<b>PART NUMBER</b>	<b>AD2RE-5CCT-WH</b>
<b>BEAM SPREAD</b>	36°
<b>LUMENS</b>	400Lm
<b>WATTAGE</b>	5.5W
<b>EFFICACY</b>	72Lm per watt
<b>CCT</b>	@2700K
<b>CRI</b>	90



Foot Candles	Distance From Light	Beam Dia.
11.6	5'	17.3'
8.1	6'	20.8'
5.9	7'	24.2'
4.5	8'	27.7'
3.6	9'	31.2'
2.9	10'	34.6'

**AD4RE**

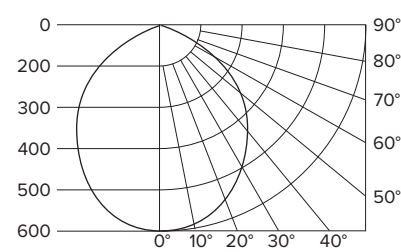
<b>PART NUMBER</b>	<b>AD4RE-5CCT-WH</b>
<b>BEAM SPREAD</b>	95°
<b>LUMENS</b>	900Lm
<b>WATTAGE</b>	10W
<b>EFFICACY</b>	90Lm per watt
<b>CCT</b>	@2700K
<b>CRI</b>	90



Foot Candles	Distance From Light	Beam Dia.
18.8	5'	17.3'
13.1	6'	20.8'
9.6	7'	24.2'
7.3	8'	27.7'
5.8	9'	31.2'
4.7	10'	34.6'

**AD6RE**

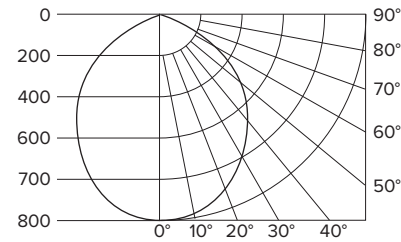
<b>PART NUMBER</b>	<b>AD6RE-5CCT-WH</b>
<b>BEAM SPREAD</b>	95°
<b>LUMENS</b>	1200Lm
<b>WATTAGE</b>	15W
<b>EFFICACY</b>	80Lm per watt
<b>CCT</b>	@2700K
<b>CRI</b>	90



Foot Candles	Distance From Light	Beam Dia.
11.6	5'	17.3'
8.1	6'	20.8'
5.9	7'	24.2'
4.5	8'	27.7'
3.6	9'	31.2'
2.9	10'	34.6'

**AD8RE**

<b>PART NUMBER</b>	<b>AD8RE-5CCT-WH</b>
<b>BEAM SPREAD</b>	95°
<b>LUMENS</b>	1900Lm
<b>WATTAGE</b>	25W
<b>EFFICACY</b>	76Lm per watt
<b>CCT</b>	@32700K
<b>CRI</b>	90



Foot Candles	Distance From Light	Beam Dia.
18.8	5'	17.3'
13.1	6'	20.8'
9.6	7'	24.2'
7.3	8'	27.7'
5.8	9'	31.2'
4.7	10'	34.6'

**ADVANTAGE DIRECT SELECT SERIES 2" RECOMMENDED DIMMERS**

BRAND	MODEL #	MAX CURRENT OUT (MA)	MIN CURRENT IN (MA)	DIMMING RANGE (%)
Lutron	CTCL-153P	134.4	0.47	0.3-97
Lutron	MACL-153MR-WH	133.3	5.37	3.8-96.2
Lutron	SCL-153P	134.4	0	0-97
Leviton	CL-6674	135.4	9.14	6.5-97.7
Lutron	TG-600PH-LA	135	8.87	6.4-97.5
Leviton	CL-6683	138.5	0	0-100
Leviton	IPL06	135.5	2.24	1.6-97.8
Lutron	DGCL-153P	134.5	0.06	0.04-97.1
Lutron	DVCL-153P	134.5	4.12	2.9-98.9
Leviton	CL-6672	137	12.9	9.3-98.7
Lutron	SLV-600P-IV	136.7	0.33	0.2-98.7
Lutron	MACL-153ME	134.8	16.81	12.1-97.3
Lutron	DVSCSELV-300P	137.3	11.04	7.9-99.1
Lutron	SELV300P-WH	137.9	10.93	7.9-99.5
Lutron	DV-600P	136.6	0.04	0.02-98.6
Lutron	DVELV-300P-WH	137.3	10.7	7.7-99.1
Lutron	SELV303P-WH	138.2	11.19	8-99.7
Lutron	DVWCL-153PH-WH	137.2	5.19	3.7-99.0
Leviton	6674-10W	135.7	19.45	14-97.9

Dimmer performance may vary in field application due to unknown external factors. Dimmers not included on the chart above are not necessarily incompatible; they have yet to be fully evaluated. Please reference dimmer manufacturer's instructions for more detailed information regarding performance and compatibility. Test data listed above is based on single lamp data. Recommended maximum 10 units connected to a single dimmer.

**ADVANTAGE DIRECT SELECT SERIES 4" RECOMMENDED DIMMERS**

BRAND	MODEL #	MAX CURRENT OUT (MA)	MIN CURRENT IN (MA)	DIMMING RANGE (%)
Lutron	CTCL-153P	249.7	3.9	1.5-99.8
Lutron	MACL-153MR-WH	237.8	13.38	5.3-95.1
Lutron	SCL-153P	248.9	1.05	0.4-99.5
Leviton	CL-6674	249.5	16.52	6.6-99.8
Lutron	TG-600PH-LA	249.5	23.74	9.4-99.8
Leviton	CL-6683	249.7	0	0-99.8
Leviton	IPL06	249.2	1.81	0.7-99.6
Lutron	DGCL-153P	249.8	2.58	1.0-99.9
Lutron	DVCL-153P	249.7	10.88	4.3-99.8
Leviton	CL-6672	249.8	30.85	12.3-99.9
Lutron	SLV-600P-IV	249.8	7.05	2.8-99.9
Lutron	MACL-153ME	250	27.9	11.1-100
Lutron	DVSCSELV-300P	250	18.16	7.2-100
Lutron	SELV300P-WH	248.2	18.22	7.2-99.2
Lutron	DV-600P	249.8	5.45	2.1-99.1
Lutron	DVELV-300P-WH	247.9	17.7	7.0-99.1
Lutron	SELV303P-WH	248.2	18	7.2-99.2
Lutron	DVWCL-153PH-WH	248.3	9.7	3.9-99.3
Leviton	6674-10W	250	36.2	14.5-100

Dimmer performance may vary in field application due to unknown external factors. Dimmers not included on the chart above are not necessarily incompatible; they have yet to be fully evaluated. Please reference dimmer manufacturer's instructions for more detailed information regarding performance and compatibility. Test data listed above is based on single lamp data. Recommended maximum 10 units connected to a single dimmer.

**ADVANTAGE DIRECT SELECT SERIES 6" RECOMMENDED DIMMERS**

BRAND	MODEL #	MAX CURRENT OUT (MA)	MIN CURRENT IN (MA)	DIMMING RANGE (%)
Lutron	CTCL-153P	375	7.83	2.0-99.9
Lutron	MACL-153MR-WH	356	22.7	6.0-94.8
Lutron	SCL-153P	375	2.9	0.7-99.9
Leviton	CL-6674	375	27.5	7.3-99.9
Lutron	TG-600PH-LA	375	42	11-99.9
Leviton	CL-6683	374	0	0-99.6
Leviton	IPL06	375	1.83	0.5-99.9
Lutron	DGCL-153P	375	5.46	1.4-99.9
Lutron	DVCL-153P	375	18.76	5-99.9
Leviton	CL-6672	375	52.2	13.9-99.9
Lutron	SLV-600P-IV	375	14.02	3.7-99.9
Lutron	MACL-153ME	375	38.5	10.2-99.9
Lutron	DVSCSELV-300P	375	26.07	6.9-99.9
Lutron	SELV300P-WH	375	25.55	6.8-99.9
Lutron	DV-600P	375	11.56	3.0-99.9
Lutron	DVELV-300P-WH	375	25.45	6.7-99.9
Lutron	SELV303P-WH	375	26.76	7.1-99.9
Lutron	DVWCL-153PH-WH	375	13.52	3.6-99.9
Leviton	6674-10W	375	58.7	15.6-99.9

Dimmer performance may vary in field application due to unknown external factors. Dimmers not included on the chart above are not necessarily incompatible; they have yet to be fully evaluated. Please reference dimmer manufacturer's instructions for more detailed information regarding performance and compatibility. Test data listed above is based on single lamp data. Recommended maximum 10 units connected to a single dimmer.

**ADVANTAGE DIRECT SELECT SERIES 8" RECOMMENDED DIMMERS**

BRAND	MODEL #	MAX CURRENT OUT (MA)	MIN CURRENT IN (MA)	DIMMING RANGE (%)
Lutron	CTCL-153P	160	0	0-100
Lutron	MACL-153MR-WH	153	0	0-95.6
Lutron	SCL-153P	160	0	0-100
Leviton	CL-6674	160	2	1.2-100
Lutron	TG-600PH-LA	160	4	2.5-100
Leviton	CL-6683	160	0	0-100
Leviton	IPL06	160	0	0-100
Lutron	DGCL-153P	160	0	0-100
Lutron	DVCL-153P	160	0	0-100
Leviton	CL-6672	160	8	0-100
Lutron	SLV-600P-IV	160	0	0-100
Lutron	MACL-153ME	160	0	0-100
Lutron	DVSCSELV-300P	160	0	0-100
Lutron	SELV300P-WH	160	0	0-100
Lutron	DV-600P	160	0	0-100
Lutron	DVELV-300P-WH	160	0	0-100
Lutron	SELV303P-WH	160	0	0-100
Lutron	DVWCL-153PH-WH	160	0	0-100
Leviton	6674-10W	160	7	4.4-100

Dimmer performance may vary in field application due to unknown external factors. Dimmers not included on the chart above are not necessarily incompatible; they have yet to be fully evaluated. Please reference dimmer manufacturer's instructions for more detailed information regarding performance and compatibility. Test data listed above is based on single lamp data.