

# ADVANTAGE 3000K

## Retrofit Downlight

The Advantage 3000K downlight offers a standard warm white option for those who do not need the adjustable CCT feature of the other downlights in the Advantage Series product line. Available in 4" and 5/6" sizes, the advantage downlight works well in a variety of basic residential and commercial applications. It is a great option upgrading legacy incandescent lighting to energy-efficient LED.

- 3000K color temperature
- Available in 4" and 5/6" trim sizes
- 90+ CRI for optimum color clarity
- Fits most standard 4", 5" and 6" housings
- Includes standard E26 socket for fast installation
- Dimmable with most TRIAC dimmers
- cETLus Listed for wet locations
- 50,000 hours rated life
- ENERGY STAR Certified
- JA8 Compliant



PROJECT:
TYPE:
LOCATION:
CATALOG NUMBER:



ADVANTAGE SERIES 4" - WHITE



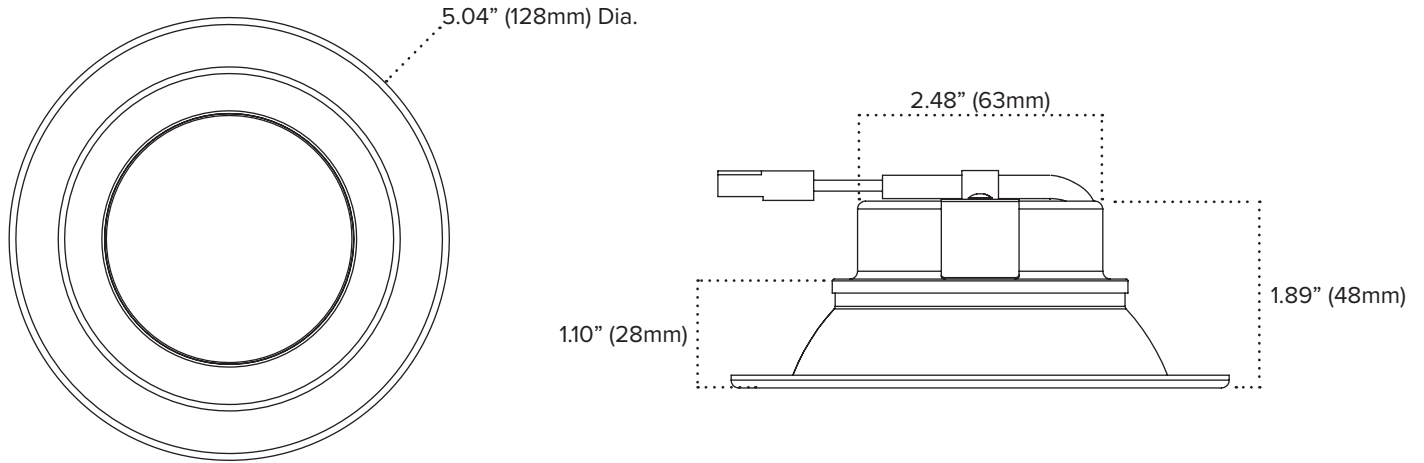
ADVANTAGE SERIES 5/6" - WHITE

ADVANTAGE 3000K SERIES QUICK SPECS	
<b>VOLTAGE</b>	120V AC, 60Hz
<b>WATTAGE</b>	10W / 15W
<b>LUMENS</b>	600Lm / 900Lm
<b>CCT OPTIONS</b>	3000K
<b>CRI</b>	90+
<b>MOUNTING</b>	Recessed mount
<b>DIMMING</b>	TRIAC (10 - 100%)
<b>BEAM ANGLE</b>	120°
<b>OPERATING TEMP</b>	-20°C (-4°F) to 40°C (104°F)
<b>CERTIFICATIONS</b>	cETLus Listed; Suitable for wet Location
<b>RATED LIFE</b>	50,000 Hours

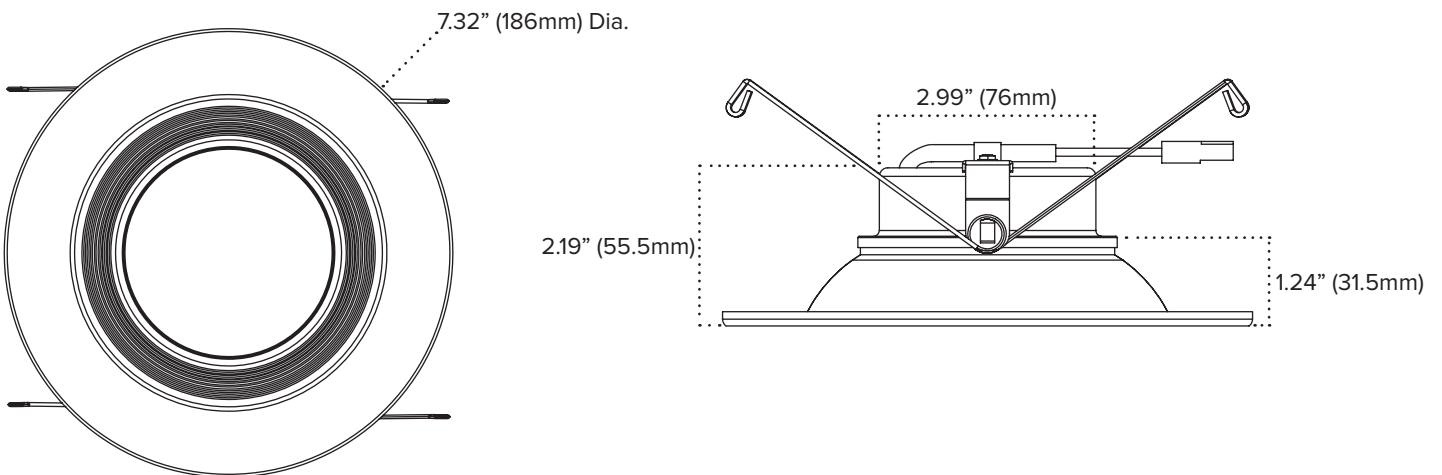
ADVANTAGE 3000K SERIES ORDERING INFORMATION						
ITEM NUMBER	STYLE	WATTAGE	LUMENS	CCT	DIMMING	
AD4V2-30-WH	4" - White	10W	600Lm	5CCT	TRIAC (10 - 100%)	
AD56V2-30-WH	5/6" - White	15W	900Lm	5CCT	TRIAC (10 - 100%)	

**ADVANTAGE 3000K SERIES QUICK DIMENSIONS**

AD4V2



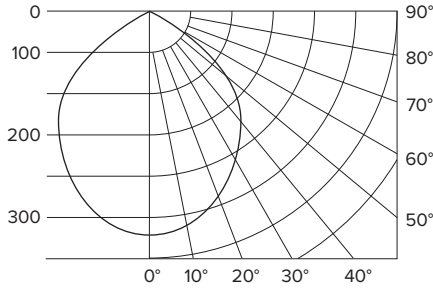
AD56V2



**ADVANTAGE 3000K SERIES PHOTOMETRICS**

**AD4V2**

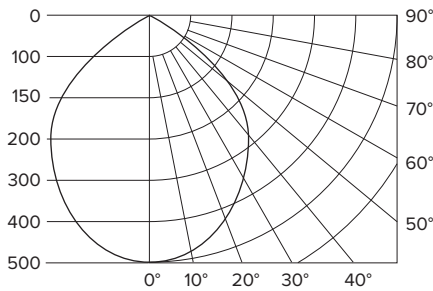
<b>PART NUMBER</b>	<b>AD4V2-30-WH</b>
<b>BEAM SPREAD</b>	120°
<b>LUMENS</b>	600Lm
<b>WATTAGE</b>	10W
<b>EFFICACY</b>	60Lm per watt
<b>CCT</b>	3000K
<b>CRI</b>	90



Foot Candles	Distance From Light	Beam Dia.
11.6	5'	17.3'
8.1	6'	20.8'
5.9	7'	24.2'
4.5	8'	27.7'
3.6	9'	31.2'
2.9	10'	34.6'

**AD56V2**

<b>PART NUMBER</b>	<b>AD56V2-30-WH</b>
<b>BEAM SPREAD</b>	120°
<b>LUMENS</b>	900Lm
<b>WATTAGE</b>	15W
<b>EFFICACY</b>	60Lm per watt
<b>CCT</b>	3000K
<b>CRI</b>	90



Foot Candles	Distance From Light	Beam Dia.
18.8	5'	17.3'
13.1	6'	20.8'
9.6	7'	24.2'
7.3	8'	27.7'
5.8	9'	31.2'
4.7	10'	34.6'

**ADVANTAGE 3000K SERIES 4" RECOMMENDED DIMMERS**

BRAND	MODEL #	MAX CURRENT OUT (MA)	MIN CURRENT IN (MA)	DIMMING RANGE (%)
Lutron	DVWCL-153PH-WH	53.00	0.00	0-98
Leviton	CL-6674	51.00	0.00	0-94
Lutron	MACL-153MR-WH	48.00	0.00	0-88
Leviton	CL-6672	53.00	0.00	0-98
Lutron	TG-600PH-LA	54.00	1.00	2-98
Lutron	SELV-300P-WH	54.00	0.00	0-98
Lutron	DVELV-300P-WH	52.00	0.00	0-96
Lutron	CTCL-153P	53.00	0.00	0-98
Lutron	SCL-153P	53.00	0.00	0-98
Leviton	CL-6683	53.00	0.00	0-98
Leviton	IPL06	50.00	0.00	0-98
Lutron	TGCL-153P	53.00	0.00	0-98
Lutron	DVCL-153P	54.00	1.00	2-98
Lutron	SLV-600P	53.00	0.00	0-98
Lutron	DV-600PR-LA	53.00	0.00	0-98
Lutron	DVSELV-300P-SW	51.00	0.00	0-98
Leviton	6674-P	50.00	0.00	0-98
Lutron	SELV-303P-WH	54.00	1.00	2-98
Lutron	DVCL-153P-WH	53.00	0.00	0-98
Lutron	MACL-153M-WH	49.00	0.00	0-90
Lutron	CTCL-153PDH-WH	53.00	0.00	0-98

Dimmer performance may vary in field application due to unknown external factors. Dimmers not included on the chart above are not necessarily incompatible; they have yet to be fully evaluated. Please reference dimmer manufacturer's instructions for more detailed information regarding performance and compatibility. Test data listed above is based on single lamp data. Recommended maximum 10 units connected to a single dimmer.

**ADVANTAGE 3000K SERIES 5/6" RECOMMENDED DIMMERS**

BRAND	MODEL #	MAX CURRENT OUT (MA)	MIN CURRENT IN (MA)	DIMMING RANGE (%)
Lutron	DVWCL-153PH-WH	84.00	0.00	0-98
Leviton	CL-6674	78.00	0.00	0-91
Lutron	MACL-153MR-WH	72.00	0.00	0-84
Leviton	CL-6672	85.00	0.00	1-98
Lutron	TG-600PH-LA	82.00	1.00	1-96
Lutron	SELV-300P-WH	85.00	0.00	0-98
Lutron	DVELV-300P-WH	82.00	0.00	0-96
Lutron	CTCL-153P	84.00	0.00	0-98
Lutron	SCL-153P	82.00	0.00	0-98
Leviton	CL-6683	85.00	0.00	0-98
Leviton	IPL06	78.00	0.00	0-91
Lutron	TGCL-153P	84.00	0.00	0-98
Lutron	DVCL-153P	84.00	0.00	0-98
Lutron	SLV-600P	84.00	0.00	0-98
Lutron	DV-600PR-LA	82.00	0.00	0-96
Lutron	DVSELV-300P-SW	78.00	0.00	0-91
Leviton	6674-P	76.00	0.00	0-89
Lutron	SELV-303P-WH	74.00	0.00	0-87
Lutron	DVCL-153P-WH	84.00	0.00	0-98
Lutron	MACL-153M-WH	77.00	0.00	0-90
Lutron	CTCL-153PDH-WH	84.00	0.00	0-98

Dimmer performance may vary in field application due to unknown external factors. Dimmers not included on the chart above are not necessarily incompatible; they have yet to be fully evaluated. Please reference dimmer manufacturer's instructions for more detailed information regarding dimmer performance and compatibility. Test data listed above is based on single lamp data. Recommended maximum 10 units connected to a single dimmer.