

CANVAS SERIES

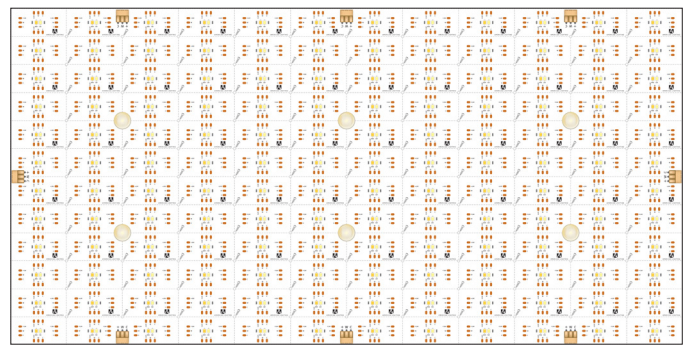
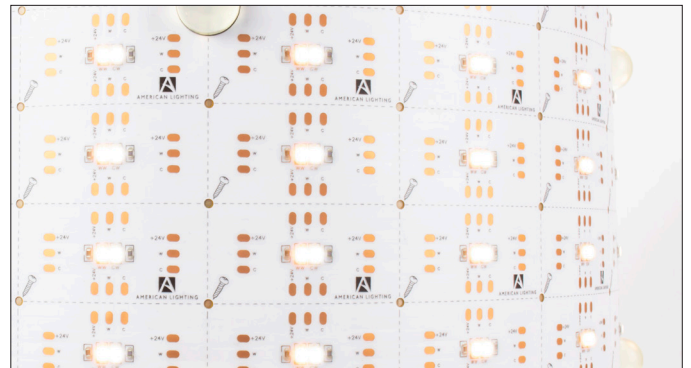
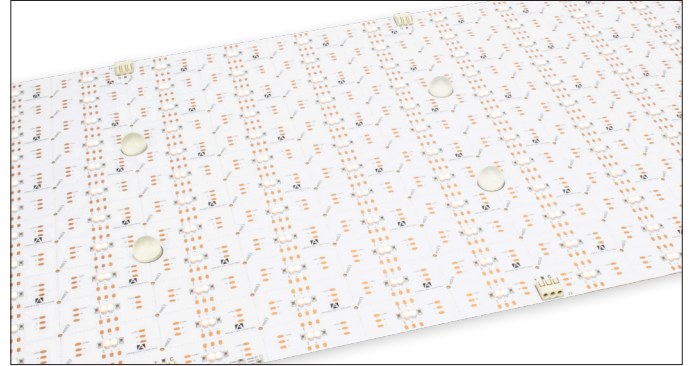
24V LED Light Sheet - Tunable CCT

The Trulux Canvas Light Sheet is the ideal product for backlighting semi-transparent countertops and architectural features. Cut the 12" x 24" sheet to size at the job site to achieve a perfect fit for your application. Built-in spacers help lift your material a half-inch off the light sheet for a leveled and diffused effect.

- Tunable CCT 2700K to 6000K Color Tuning
- Ideal for backlighting semi-translucent materials
- Up to 1800Lm output performance per sheet
- Available in 12"H x 24"W sheet size
- Field cuttable on-site for an accurate fit
- 2" x 1" Cuttability and LED spacing
- 3M peel and stick backing for quick installation
- Built-in terminal ports make it easy to run power from any side
- Integrated 1/2" stand-offs spaced every 8 inches:
- Each Stand-off is rated up to 35lb load rating (220lbs per sheet)



PROJECT:
TYPE:
LOCATION:
CATALOG NUMBER:



CANVAS TUNABLE SERIES QUICK SPECS

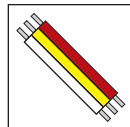
VOLTAGE	24V
WATTAGE	20W per sheet
LUMENS	Up to 1800Lm per sheet
CCT OPTIONS	2700K to 6000K
CRI	90+
MAX RUN	96W (4-1/2 Sheets Total)
CUTTING POINTS	2" x 1"
IP RATING	IP54 (Unjacketed)
DIMMING	5 - 100%
DIMENSIONS	12" (304.8mm) W x 24" (609.6mm) H
BEAM ANGLE	120°
OPERATING TEMP	-20°C (4°F) to 45°C (113°F)
CERTIFICATIONS	cULus Listed - Maintains UL listing when cut
RATED LIFE	50,000 Hours

CANVAS TUNABLE SERIES ORDERING INFORMATION

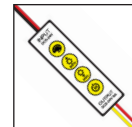
ITEM NUMBER	VOLTAGE	CCT	LENGTH	LUMENS	WATTAGE	IP RATING	CRI	CUTTING	MAX RUN
CNVS-TW-12x24	24V	2700K-6000K	12" x 24"	1800Lm	20W	IP54	90+	2" X 1"	96W

CANVAS TUNABLE SERIES ACCESSORIES

ITEM NUMBER	DESCRIPTION
CNVS-ICON-3PIN	2" (50mm) In-line 3-pin Jumper Wire
INLINE-TW-CTRL	Simple Select In-line Controller (Tunable CCT)
RCWY-PVC-1M	1m Plastic Wire Cover Raceway



CNVS-ICON-3PIN

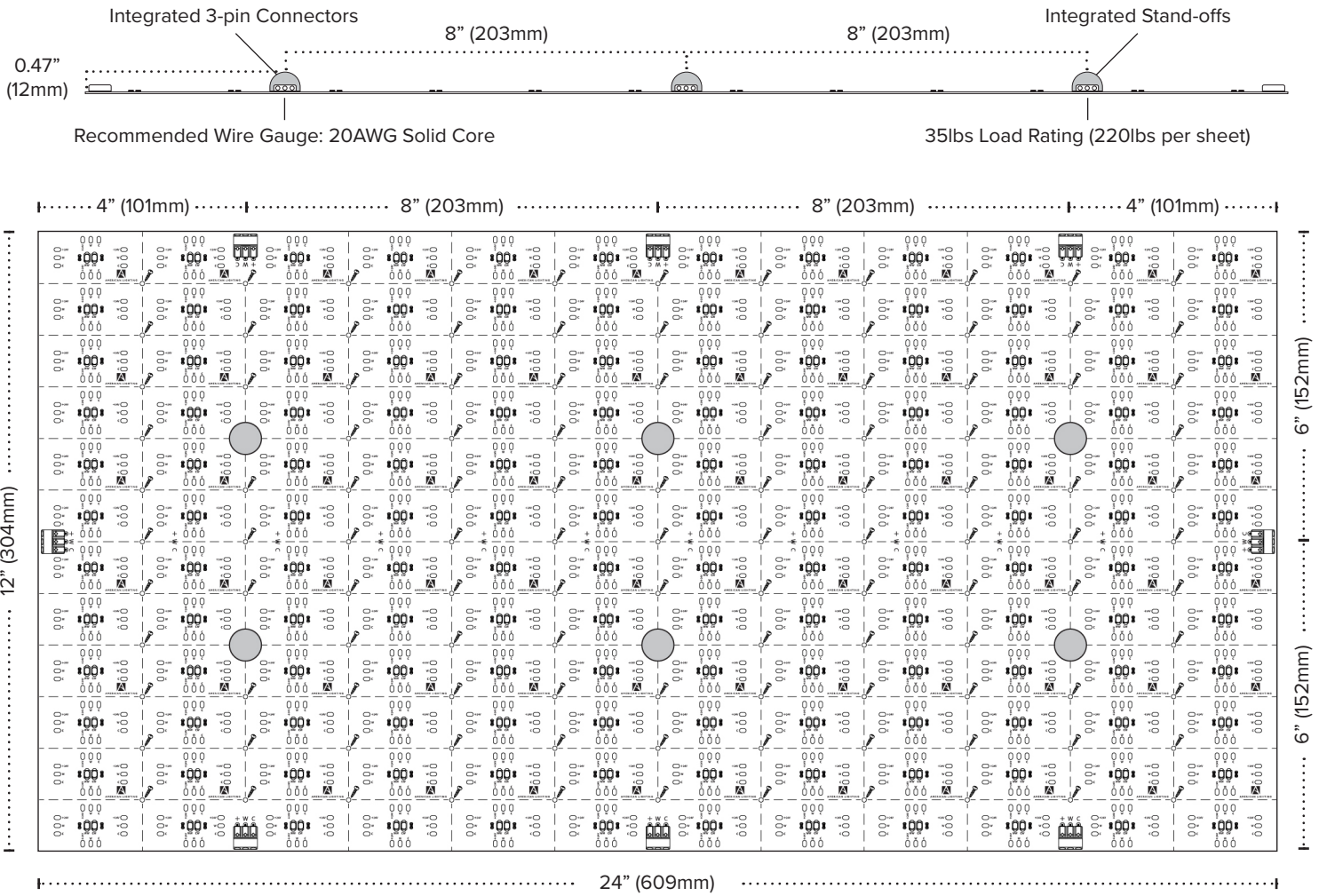


INLINE-TW-CTRL

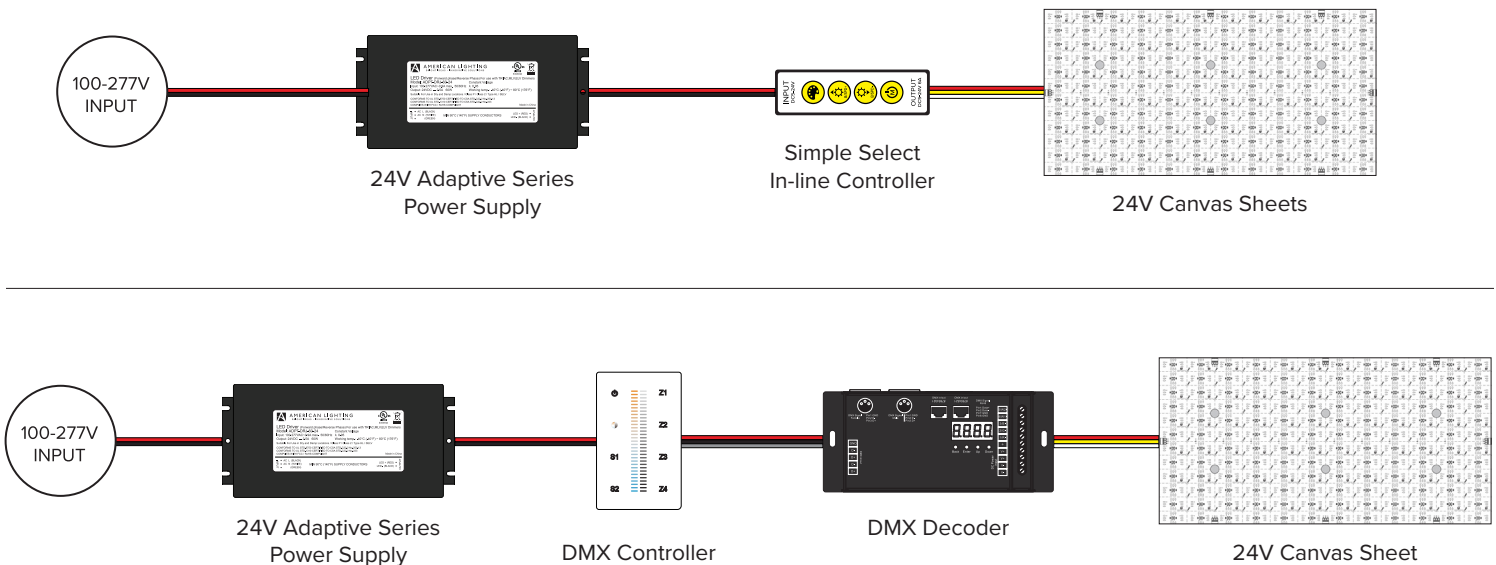


RCWY-PVC-1M

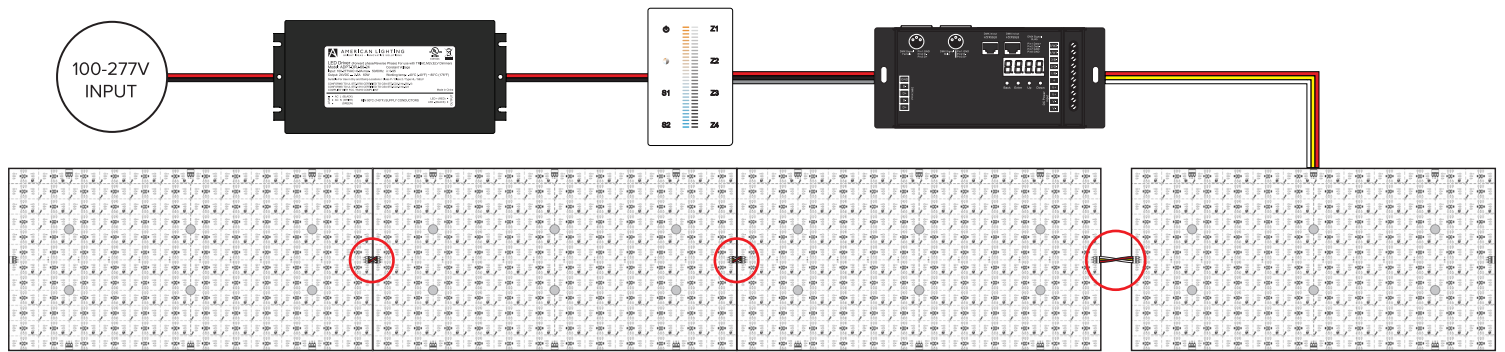
CANVAS TUNABLE SERIES QUICK DIMENSIONS



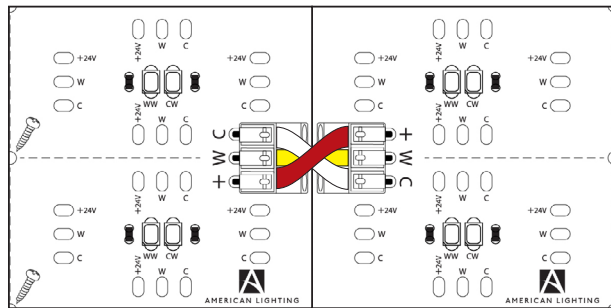
CANVAS TUNABLE SERIES QUICK SET-UP



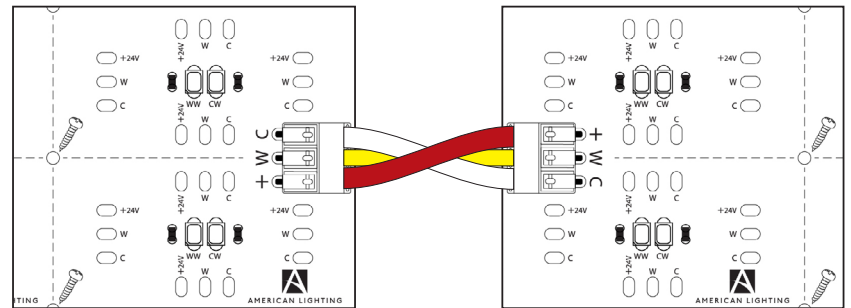
CANVAS TUNABLE SERIES WIRING CONFIGURATION



*** NOTE: When linking multiple Canvas sheets, wire polarity must be matched by crossing jumper wires ***



Example of Side by Side Linking



Example of Sheet to Sheet Jumper Linking

Recommended Wire Gauge: 20AWG (Solid Core)

RECOMMENDED POWER SUPPLIES

ITEM NUMBER	DESCRIPTION	MAX / MIN LOAD	INPUT VOLTAGE	OUTPUT VOLTAGE	DIMMABLE	DIMENSIONS
ADPT-DRJ-30-24	Adaptive Series 30W	30W / 3W	100-277V AC	24V	Yes*	6.49"L x 3.6"W x 1.02"H
ADPT-DRJ-60-24	Adaptive Series 60W	60W / 6W	100-277V AC	24V	Yes*	7.4"L x 3.6"W x 1.02"H
ADPT-DRJ-96-24	Adaptive Series 96W	96W / 9.6W	100-277V AC	24V	Yes*	8.66"L x 3.6"W x 1.61"H
ADPT-DRJ-192-24	Adaptive Series 192W (2 x 96W)	192W / 19.2W	100-277V AC	24V	Yes*	10.94"L x 4.25"W x 1.8"H
ADPT-DRJ-288-24	Adaptive Series 288W (3 x 96W)	288W / 28.8W	100-277V AC	24V	Yes*	11.85"L x 4.25"W x 1.8"H

Phase Dimming Compatible With Most MLV, ELV, and TRIAC Dimmers