

# EDGE LINK TUNABLE

## Low-Voltage Tunable CCT LED Flat Panel

Very low-profile flat panel fixtures available in four sizes featuring 2700K to 6000K color tuning capabilities with 90+ CRI, the Edgelink Tunable flat panels are perfect for the ultimate task or accent lighting applications needing to dial in the perfect color temperature or ambiance.

### Features

- 2700K-6000K Tunable CCT LED light with 90+ CRI
- Slim design allows for easy installation and integration into environment
- Low-profile (less than 3/8" high) in four convenient sizes
- Inter-connectable up to 96 watts via included end-to-end connector (included) or jumper/linking cables (sold separately)
- High CRI and no glare flat lighting
- Requires the use of a 24V DC driver and Trulux control + receiver (sold separately)
- Compatible with other products that feature LumelFX technology
- Surface mount via magnetic plate

### Applications

Under-cabinets, Task Lighting, Accent lighting

### EdgeLink fixtures include:

(1) 6' 20AWG Power Connector Wire w/ tack nails



EDGE LINK TUNABLE QUICK SPECS				
LENGTH	8"	16"	22"	34"
FINISH	White			
VOLTAGE	24V			
WATTAGE	7W	13W	19W	24W
LUMENS	340	675	1000	1200
CCT OPTIONS	2700K-6000K Tunable CCT			
CRI	88/92+			
MAX RUN	Dependant on driver			
DIMMING	5-100% (requires Trulux control + receiver)			
BEAM ANGLE	120			
OPERATING TEMP	-10°C (14°F) to 70°C (158°F)			
AMBIENT TEMP	-10°C (14°F) to 40°C (104°F)			
CERTIFICATIONS	cETLus Listed, Dry locations			
RATED LIFE	35,000 Hours			

PROJECT: \_\_\_\_\_

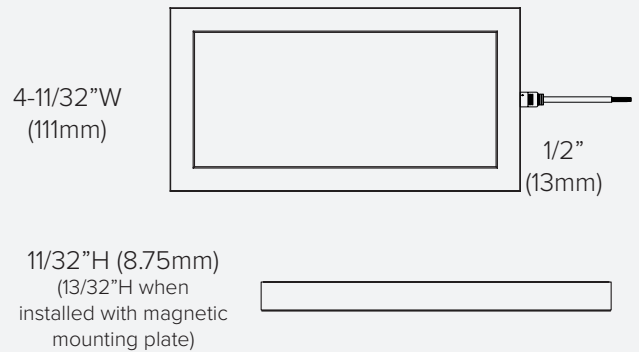
TYPE: \_\_\_\_\_

LOCATION: \_\_\_\_\_

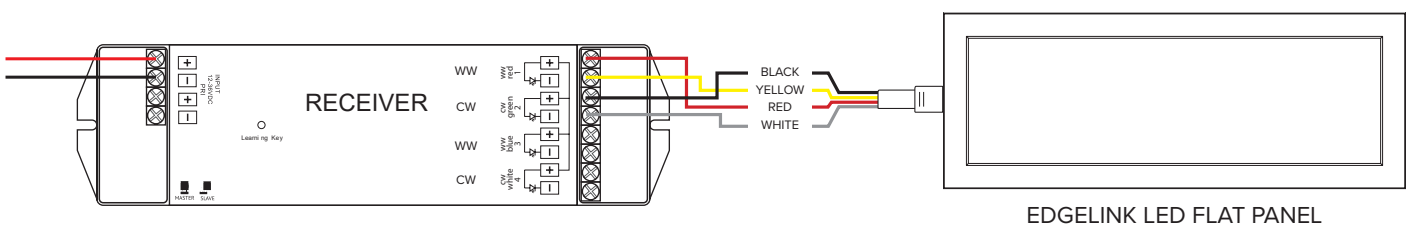
CATALOG NUMBER: \_\_\_\_\_



### Dimensions



## EDGE LINK TUNABLE QUICK TECH



**EDGE LINK TUNABLE ORDERING INFORMATION**

ITEM NUMBER	CCT	LENGTH	LUMENS	WATTAGE	VOLTAGE	CRI	BEAM ANGLE	DIMMING
EDGE-TW-8-WH	2700K-6000K	8"	340	7W	24VDC	88/92+	120	5-100%
EDGE-TW-16-WH	2700K-6000K	16"	675	13W	24VDC	88/92+	120	5-100%
EDGE-TW-22-WH	2700K-6000K	22"	1000	19W	24VDC	88/92+	120	5-100%
EDGE-TW-34-WH	2700K-6000K	36"	1200	24W	24VDC	88/92+	120	5-100%

**EDGE LINK TUNABLE ACCESSORIES**

ITEM NUMBER	DESCRIPTION
EDGE-CONKIT12	12' 20AWG Power Connector Wire
EDGE-EX6-WH	6" White EdgeLink extension cable (for extending remote driver distance)
EDGE-EX12-WH	12" White EdgeLink extension cable (for extending remote driver distance)
EDGE-EX24-WH	24" White EdgeLink extension cable (for extending remote driver distance)



EDGE-CONKIT12



EDGE-EX(6 OR 12 OR 24)-WH

**TRULUX TUNABLE CCT CONTROL OPTIONS**

ITEM NUMBER	DESCRIPTION
<b>TRULUX CONTROLLERS</b>	
TWRF-BATT	Trulux Tunable CCT RF control; push dial wall mount; 1 zone; battery operated; Req's Trulux RF receiver
TWRF-3AAA	Trulux Tunable CCT RF control; handheld remote; 1-4 zone and 3 scenes; battery operated; Req's Trulux RF receiver
Trulux App	Trulux Mobile Application; Mobile Phone or Tablet ready; Requires the TruHub (RF-WiFi-8) router and receivers (REC-5A-4Z) for 2-8 zones or the RF + WiFi receiver (REC-5A-4Z-WiFi) for single zone applications
<b>TRULUX RECEIVERS</b>	
REC-5A-4Z	Trulux RF Receiver; sync multiple receivers to a single control; 4x5A channels; 12/24VDC input
REC-5A-4Z-WIFI	Trulux RF + WiFi receiver; sync multiple receivers to single control; 4x5A channels; 12/24VDC
WIFI-RF-8	TruHub WiFi Hub Control; converts WiFi to RF for 2-8 zones



TWRF-BATT TWRF-3AAA Trulux App



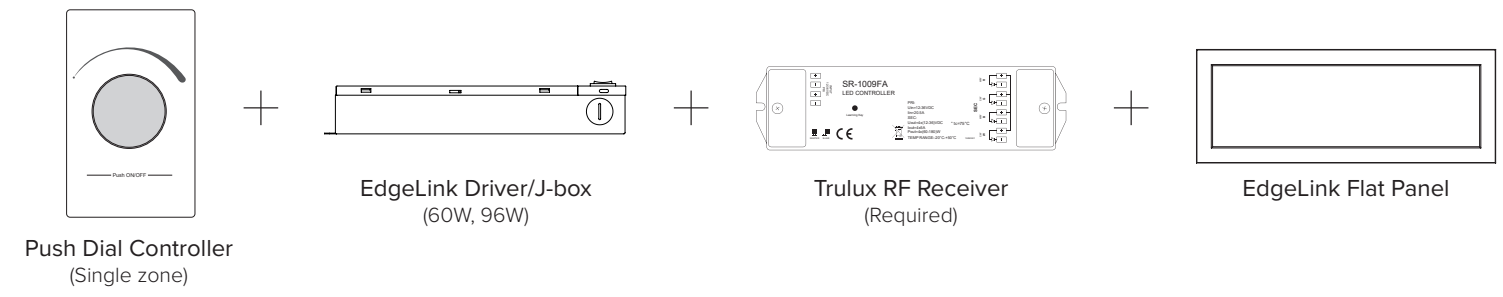
REC-5A-4Z REC-5A-4Z-WIFI



WIFI-RF-8

**EDGE LINK TUNABLE QUICK SET-UP**

Example Trulux Controller Set-up



**RECOMMENDED POWER SUPPLIES**

ITEM NUMBER	DESCRIPTION	MAX / MIN LOAD	INPUT VOLTAGE	OUTPUT VOLTAGE	DIMMABLE	DIMENSIONS
ADPT-DRJ-30-24	Adaptive Series 30W	30W / 3W	100-277V AC	24V	Yes*	6.49"L x 3.6"W x 1.02"H
ADPT-DRJ-60-24	Adaptive Series 60W	60W / 6W	100-277V AC	24V	Yes*	7.4"L x 3.6"W x 1.02"H
ADPT-DRJ-96-24	Adaptive Series 96W	96W / 9.6W	100-277V AC	24V	Yes*	8.66"L x 3.6"W x 1.61"H
ADPT-DRJ-192-24	Adaptive Series 192W (2 x 96W)	192W / 19.2W	100-277V AC	24V	Yes*	10.94"L x 4.25"W x 1.8"H
ADPT-DRJ-288-24	Adaptive Series 288W (3 x 96W)	288W / 28.8W	100-277V AC	24V	Yes*	11.85"L x 4.25"W x 1.8"H

\*Phase Dimming Compatible With Most MLV, ELV, and TRIAC Dimmers\*