

EDGE LINK 3000K

Low-Voltage LED Flat Panel

Very low-profile LED flat panel fixture available in four sizes with Warm White 3000K LED light. Link multiple panels with extension cables (jumpers) or connect directly with included in-line connector to accommodate virtually any application. Dimmable with Trulux single color RF control systems and most CL and ELV dimmers.

Features

- 3000K CCT
- Slim design allows for easy installation
- Low-profile (less than 3/8" high)
- Inter-connectable via included end-to-end connector or jumper/linking cables (sold separately)
- High CRI and no glare flat lighting
- Requires the use of a 24V DC driver (sold separately)
- Compatible with Trulux controllers
- Surface mount via magnetic plate

Applications

Under-cabinets, Task Lighting, Accent lighting

EdgeLink fixtures include:

- (1) 6' 20AWG Power Connector Wire w/ tack nails
- (1) End-to-end linking connector
- (1) Magnetic mounting plate with mounting screws



EDGE LINK 3000K QUICK SPECS				
LENGTH	8"	16"	22"	34"
FINISH	White			
VOLTAGE	24V			
WATTAGE	7W	13W	19W	24W
LUMENS	340	675	1000	1200
CCT OPTIONS	3000K			
CRI	90+			
MAX RUN	Dependant on driver			
*DIMMING	15-100% CL, TRIAC when using DRJ driver; 15-100% ELV when using ELV driver; 5-100% (requires Trulux control+ receiver)			
BEAM ANGLE	120			
OPERATING TEMP	-10°C (14°F) to 70°C (158°F)			
AMBIENT TEMP	-10°C (14°F) to 40°C (104°F)			
CERTIFICATIONS	cETLus Listed, Dry locations			
RATED LIFE	35,000 Hours			

PROJECT: _____

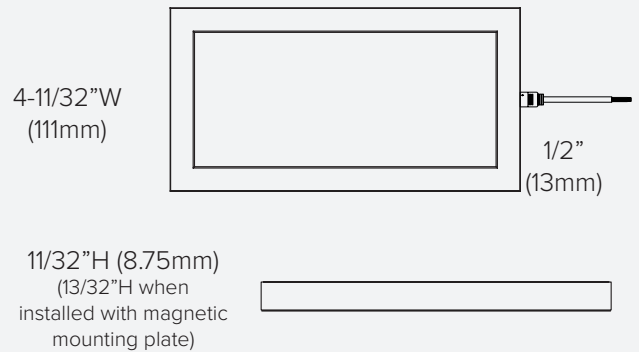
TYPE: _____

LOCATION: _____

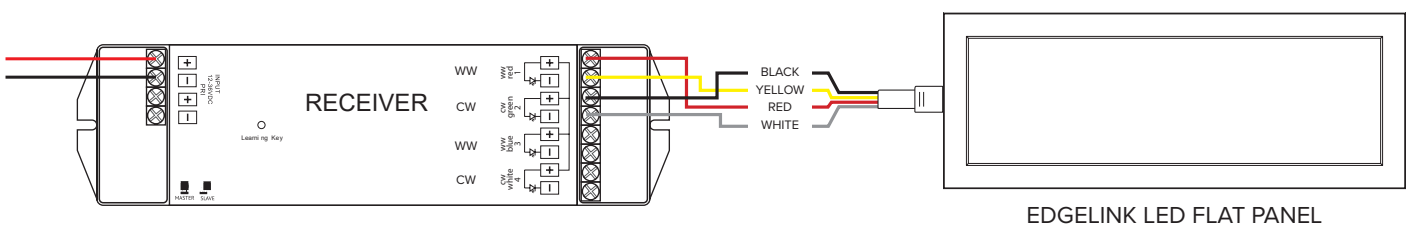
CATALOG NUMBER: _____



Dimensions



EDGE LINK 3000K QUICK TECH



EDGE LINK 3000K ORDERING INFORMATION

ITEM NUMBER	CCT	LENGTH	LUMENS	WATTAGE	VOLTAGE	CRI	BEAM ANGLE	*DIMMING
EDGE-WW-8-WH	3000K	8"	340	7W	24VDC	90+	120	15-100% OR 5-100%
EDGE-WW-16-WH	3000K	16"	675	13W	24VDC	90+	120	15-100% OR 5-100%
EDGE-WW-22-WH	3000K	22"	1000	19W	24VDC	90+	120	15-100% OR 5-100%
EDGE-WW-34-WH	3000K	36"	1200	24W	24VDC	90+	120	15-100% OR 5-100%

EDGE LINK 3000K ACCESSORIES

ITEM NUMBER	DESCRIPTION
EDGE-CONKIT12	12' 20AWG Power Connector Wire
EDGE-EX6-WH	6" White EdgeLink extension cable (for extending remote driver distance)
EDGE-EX12-WH	12" White EdgeLink extension cable (for extending remote driver distance)
EDGE-EX24-WH	24" White EdgeLink extension cable (for extending remote driver distance)



EDGE-CONKIT12



EDGE-EX(6 OR 12 OR 24)-WH

TRULUX SINGLE COLOR CONTROL OPTIONS

ITEM NUMBER	DESCRIPTION
TRULUX CONTROLLERS	
SRF-BATT	Trulux single color RF control; push dial wall mount; 1 zone; battery operated; Req's Trulux RF receiver
SRF-4Z-3P	Trulux single color RF control; touch slider wall mount; 1-4 zone; 12/24VDC input; Req's Trulux RF receiver
Trulux App	Trulux Mobile Application; Mobile Phone or Tablet ready; Requires the TruHub (RF-WiFi-8) router and receivers (REC-5A-4Z) for 2-8 zones or the RF + WiFi receiver (REC-5A-4Z-WiFi) for single zone applications
TRULUX RECEIVERS	
REC-5A-4Z	Trulux RF Receiver; sync multiple receivers to a single control; 4x5A channels; 12/24VDC input
REC-5A-4Z-WIFI	Trulux RF + WiFi receiver; sync multiple receivers to single control; 4x5A channels; 12/24VDC
WIFI-RF-8	TruHub WiFi Hub Control; converts WiFi to RF for 2-8 zones



SRF-BATT



SRF-4Z-3P



Trulux App



REC-5A-4Z



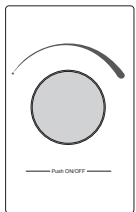
REC-5A-4Z-WIFI



WIFI-RF-8

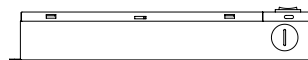
EDGE LINK 3000K QUICK SET-UP

Example Trulux Controller Set-up



Push Dial Controller
(Single zone)

+



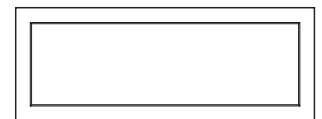
Driver

+



Trulux RF Receiver
(Required)

+



EdgeLink Flat Panel

RECOMMENDED POWER SUPPLIES

ITEM NUMBER	DESCRIPTION	MAX / MIN LOAD	INPUT VOLTAGE	OUTPUT VOLTAGE	DIMMABLE	DIMENSIONS
ADPT-DRJ-30-24	Adaptive Series 30W	30W / 3W	100-277V AC	24V	Yes*	6.49"L x 3.6"W x 1.02"H
ADPT-DRJ-60-24	Adaptive Series 60W	60W / 6W	100-277V AC	24V	Yes*	7.4"L x 3.6"W x 1.02"H
ADPT-DRJ-96-24	Adaptive Series 96W	96W / 9.6W	100-277V AC	24V	Yes*	8.66"L x 3.6"W x 1.61"H
ADPT-DRJ-192-24	Adaptive Series 192W (2 x 96W)	192W / 19.2W	100-277V AC	24V	Yes*	10.94"L x 4.25"W x 1.8"H
ADPT-DRJ-288-24	Adaptive Series 288W (3 x 96W)	288W / 28.8W	100-277V AC	24V	Yes*	11.85"L x 4.25"W x 1.8"H

Phase Dimming Compatible With Most MLV, ELV, and TRIAC Dimmers