

120V | EPIQ 3RE Remodel Downlight

PROJECT: TYPE:

LOCATION: CAT:



Dark Bronze



Nickel



White

Description

Versatile and affordable LED remodel downlight in 3 finishes with smooth insets with 3" (non-IC) remodel housing

Features

- Metal core PCB with aluminum heat sink
- Stamped aluminum trims with durable baked enamel finish
- Frosted polycarbonate lens diffuses light
- Compatible with CLIQ3 square trims in 3 finishes and smooth inset (non-swivel modules only)
- Square click-on trims are injection molded heavy-duty plastic with polyurethane finish
- Available in standard or swivel remodel styles
- cETLus Listed for damp locations

Mounting

Remodel: Includes 3" (non-IC) remodel housing and steel torsion clips on module to secure downlight (requires 5" ceiling clearance)

Applications

General Lighting LED Remodel

Warranty

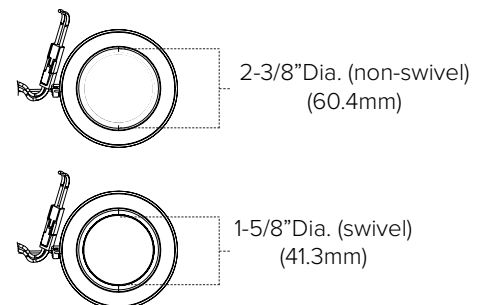
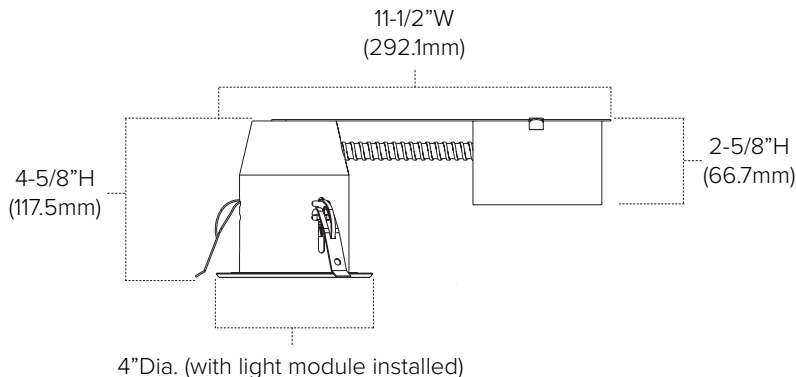
5 years

Technical Information



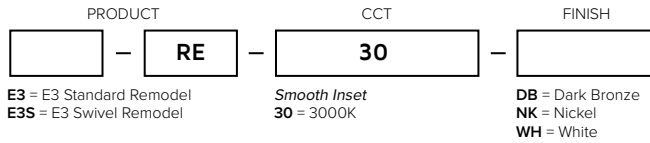
Voltage	120V AC, 60Hz					
CCT	3000K					
Series	E3-RE (non-swivel)			E3S-RE (swivel)		
Finish	DB	NK	WH	DB	NK	WH
Lumens	460	550	700	480	550	700
Wattage	8W					
CRI	90+					
Inset	Smooth					
Beam Angle	90°					
Dimming	5-100% with most standard incandescent (TRIAC) and low-voltage electronic dimmers					
Rating	Energy Star; cETLus Listed; Damp location					
Rated Life	35,000 Hours					

Profile Dimensions



Ordering Information

**120V AC, 60Hz
3" Remodel**



E3 Remodel Downlights Include:
 (1) 3" Remodel downlight with 3" (non-IC) remodel housing

Example Part # **E3-RE-30-DB**



3" (non-IC) remodel housing

Compatible Dimmers

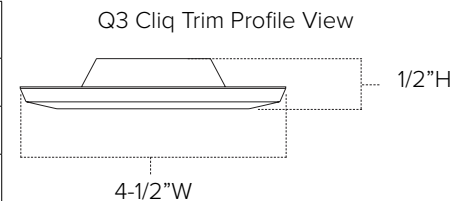
Brand	Model #	Type	Dimming Range	Notes
Lutron® Diva	DVCL-153PH	Universal (CFL/LED/Incandescent)	5-100%	
Lutron® Skylark	S-600PH	Incandescent	10-100%	
Leviton® Sureslide	6613	Incandescent	10-100%	

Minimum loads may apply. Dimmer performance may vary in field application due to unknown external factors. Dimmers not included on the chart above are not necessarily incompatible; they have yet to be fully evaluated. Please reference dimmer manufacturer's instructions for more detailed information regarding performance and compatibility.

Accessories

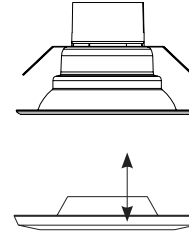
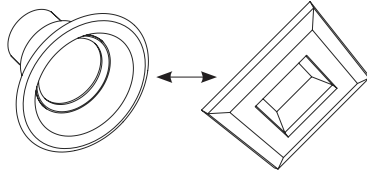
Image	Part Number	Description
	Q3-DB	Square CLIQ Trim for E3; Smooth inset; Dark Bronze finish
	Q3-NK	Square CLIQ Trim for E3; Smooth inset; Nickel finish
	Q3-WH	Square CLIQ Trim for E3; Smooth inset; White finish

CLIQ Trims are only compatible with EPIQ series downlights.



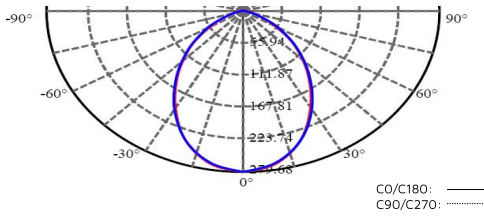
Additional Information

Using CLIQ trims with EPIQ downlights

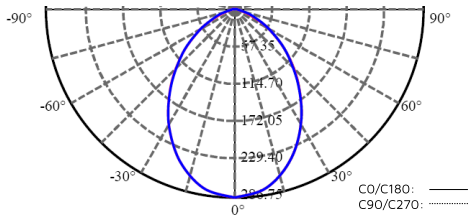


Photometrics

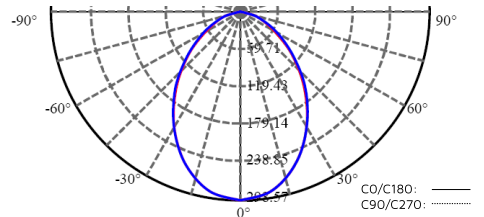
E3-RE-30-DB



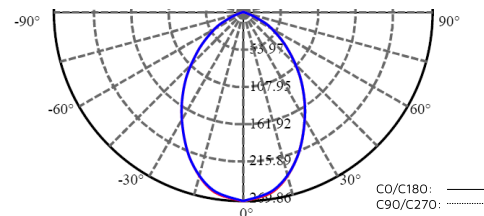
E3-RE-30-NK



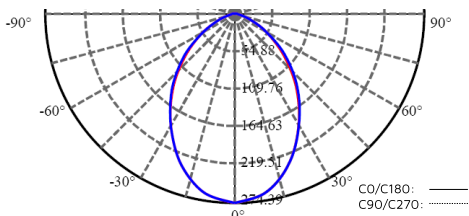
E3-RE-30-WH



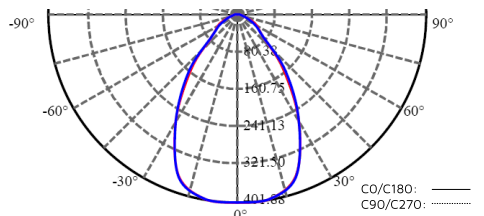
E3S-RE-30-DB



E3S-RE-30-NK



E3S-RE-30-WH



NOTES
