

PROJECT: TYPE:

LOCATION: CAT:



RGB

Description

Low-profile, continuous line of RGB light for indoor or outdoor use.

Features

- 120V RGB linear light
- Interconnectable lengths have molded male/female connectors for easy install
- Flexible rubber housing with PVC lens is protected with UV inhibitor
- Various mounting, linking, and power accessories available (sold separately)
- Requires either RGB-H2-IR-5A or RGB-H2-CTRL for operation (sold separately)

Mounting

Mounting clips or mounting track (Each length of Hybrid 2 RGB includes mounting clips with 2 screws each - 1 per foot of length)

Applications

Accent Lighting, Coves, Ledges, Shelves

Technical Information

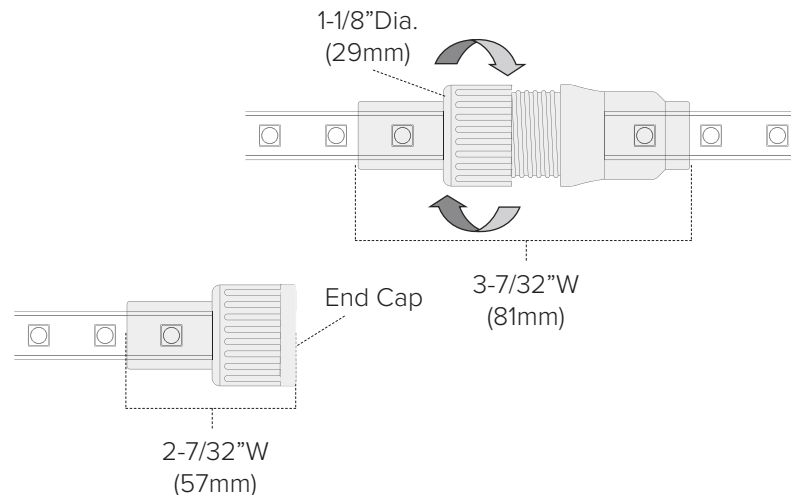
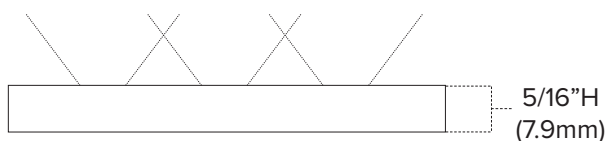
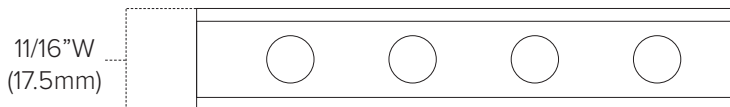


Length	3ft	12ft	30ft	45ft
Voltage	120V AC			
Jacket Color	Opaque White			
Wattage	8.1W	32.4W	81W	121.5W
Max Run	150ft			
Signal Max	DMX 512 Signal limited to 700ft maximum			
Power Factor	>0.95			
Beam Angle	120°			
Operating Temp	-20°C~+40°C**			
Dimming	RGB or DMX Control			
LED Spacing	3-in-1 LEDs spaced every 5/8"; 20 per foot			
Rating	cETLus Listed†; Indoor/Protected Outdoor; IP65			
Rated Life	20,000 Hours			

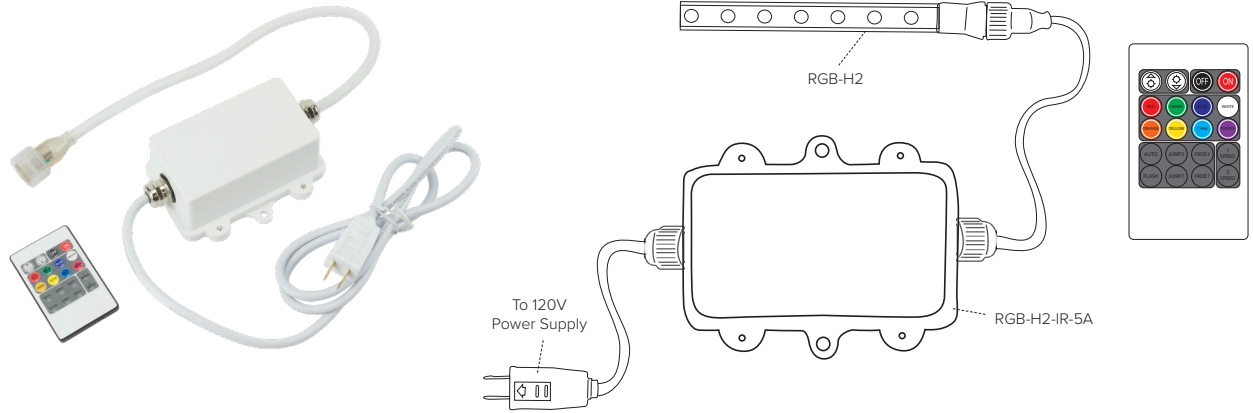
**Do not install in inclement weather or extreme temperature conditions (i.e. -25°C (-13°F) and below)

† cETLus Listing for 120V is void if product is cut

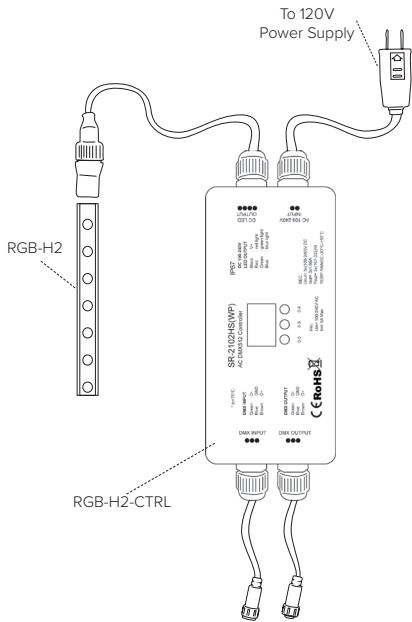
Dimensions



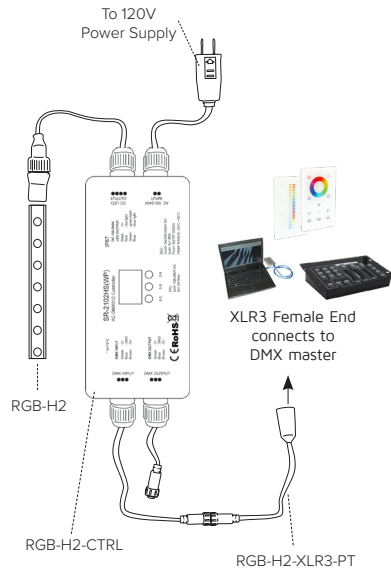
Power/Control Option A
RGB-H2-IR-5A
Infrared Controller + Receiver Combo



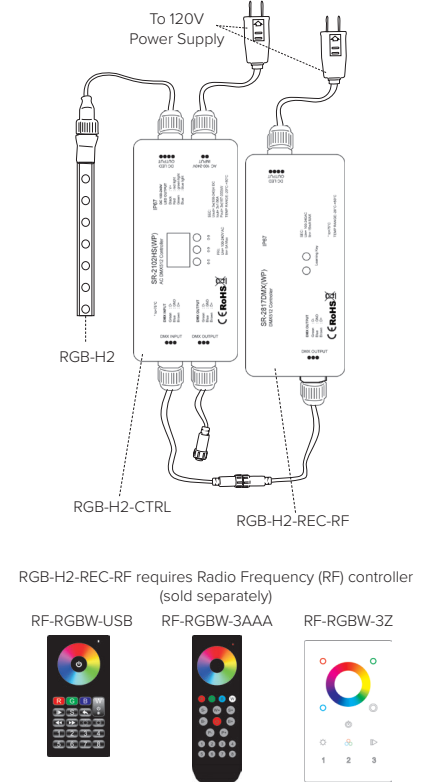
Power/Control Option B
RGB-H2-CTRL
in Standalone Mode



Power/Control Option C
RGB-H2-CTRL
+ Master DMX Control

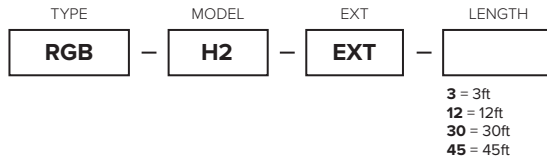


Power/Control Option D
RGB-H2-CTRL + RGB-H2-REC-RF
+ Trulux RF Controller
for Radio Frequency Control



Ordering Information

120V Kits



Hybrid 2 RGB 120V Kits Include:

Length of RGB-H2
 Mounting Clips w/2 screws each (1 set per foot of length)
 Requires RGB-H2-CTRL for operation (sold separately);
 See page 2 for Power & Control Options

Example Part # **RGB-H2-EXT-12**



Power & Control Supplies

Part Number	Description	Application	Operation	Total Wattage	Listing	Dimensions
RGB-H2-IR-5A	120V 5A RECEIVER W/ IR REMOTE CONTROL, cETLus, UP TO 196FT	Indoor	100-240V	600W max	ETL	6"L x 4-1/4"W x 2-1/4"H with 4-1/2ft power cord and 1-1/2" lead
RGB-H2-CTRL*	Standalone Capable DMX512 Controller *Required for operation	Indoor/Outdoor	120V	3x(167-333)W	UL	180.5mmLx73.6mmWx38mmH
RGB-H2-REC-RF	Radio Frequency Receiver to DMX512 Output (For use with RGB-H2-CTRL and Trulux Radio Frequency Controller)	Indoor/Outdoor	120V	-	UL	180.5mmLx73.6mmWx38mmH
RGB-H2-XLR3-PT	2ft 18AWG with female end for RGB-H2-CTRL input and XLR-3 Male end	RGB-H2-CTRL	DMX Signal	N/A	N/A	2ft length; XLR3 connection
RGB-H2-CTRL-EC15	15ft signal linking cable for RGB-H2-CTRL	RGB-H2-CTRL	DMX Signal	N/A	N/A	15ft length

Accessories

Image	Part Number	Description
	RGB-H2-EXT-JUMP.5	6" jumper/linking cable for Hybrid 2 RGB Kits includes (3) PVC clips with (6) screws
	RGB-H2-EXT-JUMP3	3ft jumper/linking cable for Hybrid 2 Reels includes (12) PVC clips with (24) screws
	RGB-H2-EXT-JUMP10	10ft jumper/linking cable for Hybrid 2 Reels includes (30) PVC clips with (60) screws
	RGB-H2-EXT-JUMP20	20ft jumper/linking cable for Hybrid 2 Reels includes (45) PVC clips with (90) screws
	RGB-H2-CLIPS-AL	Aluminum mounting clips for Hybrid 2 RGB (Bag of 10 with 20 screws)
	RGB-H2-CHAN-3	3ft aluminum mounting channel (23/32"W x 12/32"H)