

PROJECT:  TYPE:

LOCATION:  CAT:



### Description

Versatile, dimmable, and affordable LED Advantage recessed downlights are available in white with either a static lens for 5" and 6" cans (also available as Title 24 compliant model) or a swivel (gimbal) version (for 6" recessed cans only).

### Features

- Durable and glare-free frosted polycarbonate lens
- Easy installation with spring loaded torsion clips
- Includes standard E26 socket connection (CD56 includes GU-24 connection)
- cETLus Listed and ENERGY STAR Certified

### Mounting

**AD56 Retrofit:** Adjustable spring loaded torsion clips fit most 5" or 6" Type IC rated cans (requires 3-5/16" clearance) with E26 sockets

**AD6S Retrofit:** Spring loaded torsion clips fit most 6" Type IC rated cans (requires 2-7/8" clearance) with E26 sockets

**CD56 Retrofit:** Adjustable spring loaded torsion clips fit most 5" or 6" Type IC rated cans (requires 3-5/16" clearance) with GU-24 sockets

### Applications

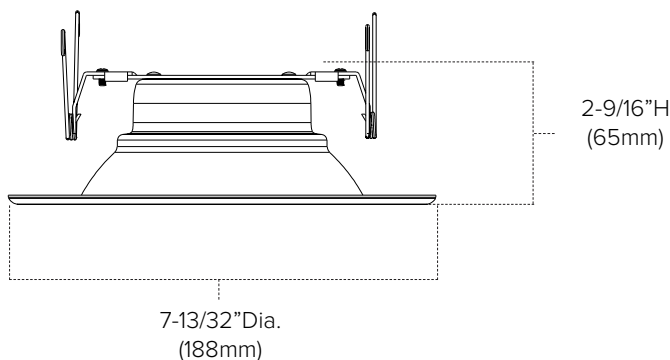
General Lighting LED Retrofit



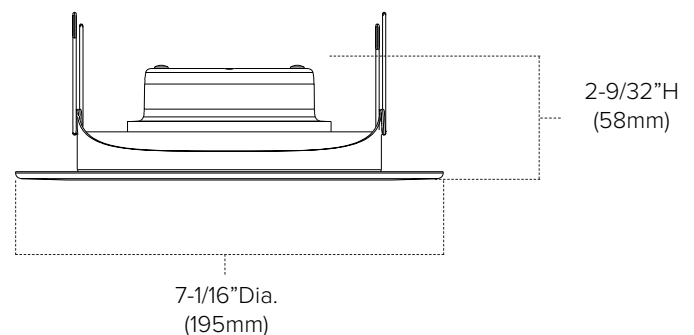
## Technical Information

Voltage	120V AC, 60Hz								
CCT	2700K		3000K			2700K		3000K	
Series	AD56-27-WH	AD56-30-WH	AD56-30-DB	AD56-B30-WH	AD56-B30-DB	AD6S-27-WH	AD6S-30-WH	CD56-30-WH	
Finish	White	White	Dark Bronze	White	Dark Bronze	White	White	White	
Inset	Smooth			Baffle		Adjustable Swivel; Baffle		Smooth	
Lumens	925	900	900	930	903	905	800	900	
Wattage	15.2	15	15	15.05	15.05	15.07	12	15	
CRI	90+								
Connection	E26 Edison							GU-24	
Beam Angle	88°	86°	87°	88°	87°	91°	90°	87°	
Dimming	10-100% with most standard TRIAC dimmers								
Rating	ENERGY STAR; cETLus Listed; Wet location					ENERGY STAR; cETLus Listed; Damp location		ENERGY STAR; cETLus Listed; Wet location; Title 24	
Rated Life	50,000 Hours								

AD56 and CD56



AD6S



## Ordering Information

### 5/6" AD56 120V AC, 60Hz Retrofit

PRODUCT	CCT	FINISH
<b>AD56</b>	<b>30</b>	
	27 = Smooth 2700K (White finish only) 30 = Smooth 3000K B30 = Baffle 3000K	WH = White DB = Dark Bronze

#### AD56 Retrofit Downlights Include:

(1) 5/6" Retrofit downlight with standard E26 Edison socket connection and adjustable spring loaded torsion clips to fit most standard 5" or 6" housings

#### AD6S Retrofit Downlights Include:

(1) 6" Retrofit swivel downlight with standard E26 Edison socket connection and spring loaded torsion clips to fit most standard 6" housings

#### CD56 Retrofit Downlights Include:

(1) 5/6" Retrofit downlight with GU-24 connection and spring loaded torsion clips to fit most standard 5" or 6" housings

### 6" AD6S 120V AC, 60Hz Swivel Retrofit

PRODUCT	CCT	FINISH
<b>AD6S</b>		<b>WH</b>
	27 = Smooth 2700K 30 = Smooth 3000K	WH = White


### 5/6" CD56 120V AC, 60Hz Title 24 Retrofit

PRODUCT	CCT	FINISH
<b>CD56</b>	<b>30</b>	<b>WH</b>
	30 = Smooth 3000K	WH = White

Example Part # **AD56-30-WH**

<b>AD56</b>	-	<b>30</b>	-	<b>WH</b>
-------------	---	-----------	---	-----------

## Accessories

Image	Part Number	Description
	X6-TORCLIPS	Pair of torsion clips; Required when existing 6" housing does not have torsion spring receiving brackets aka "bullhorns"

## Compatible Dimmers

Brand	Model #	Type	Dimming Range	Notes
Lutron® Diva	DVCL-153P	Universal (CFL/LED/Incandescent)	10-100%	
Lutron® Toggler	TGCL-153PH	Universal (CFL/LED/Incandescent)	10-100%	
Lutron® Skylark	SELV-300P	Electronic Low-Voltage (ELV)	10-100%	
Lutron® Diva	DV-600P	Incandescent	10-100%	
Leviton® Sureslide	6674	Universal (CFL/LED/Incandescent)	10-100%	

Minimum loads may apply. Dimmer performance may vary in field application due to unknown external factors. Dimmers not included on the chart above are not necessarily incompatible; they have yet to be fully evaluated. Please reference dimmer manufacturer's instructions for more detailed information regarding performance and compatibility.

## Additional Information

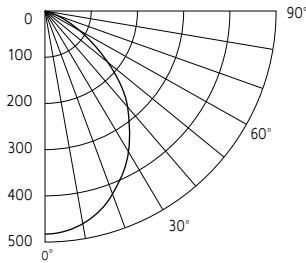
### Minimum Height Requirements

Model	Minimum Height Requirement	Location
AD56	3-15/16" (80mm)	Dry, damp, or wet location
AD6S	2-7/8" (73mm)	Dry or damp location
CD56	3-15/16" (80mm)	Dry, damp, or wet location

Photometrics

**PHOTOMETRIC DATA: AD56-30-WH**

**Photometric Diagram**



**AD56-30-WH Summary**

Test voltage:	120.00V
Luminous flux:	926.3Lm
Input power:	14.41W
Luminous efficacy:	64.28
Power factor:	0.785
Maximum intensity:	478.2cd
Beam angle:	86.4°
Spacing criteria:	0.93

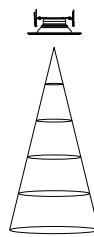
**Zonal Lumen Summary**

Zone	Lumens	%Fixture
0-30°	346.7	37.4
0-40°	539.6	58.3
0-60°	833.6	90.0
0-90°	926.3	100.0
90-180°	0	0.0
0-180°	926.3	100.0

**Candela Distribution**

Angle	Average Candelas
0°	478
5°	475
15°	444
25°	385
35°	308
45°	227
55°	134
65°	60
75°	20
85°	9

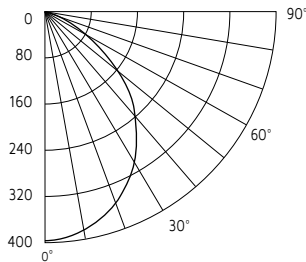
**Initial Footcandles**



Distance to Illuminated Plane	Footcandles (at beam center)	Beam Diameter (feet)
6 feet	13.3	11.3
7 feet	9.8	13.1
8 feet	7.5	15.0
9 feet	5.9	16.9
10 feet	4.8	18.8

**PHOTOMETRIC DATA: AD6S-30-WH**

**Photometric Diagram**



**AD6S-30-WH Summary**

Test voltage:	120.04V
Luminous flux:	835.9Lm
Input power:	11.84W
Luminous efficacy:	63.52
Power factor:	0.777
Maximum intensity:	395.3cd
Beam angle:	91.0°
Spacing criteria:	0.84

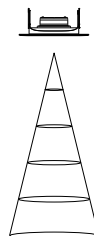
**Zonal Lumen Summary**

Zone	Lumens	%Fixture
0-30°	294.8	35.3
0-40°	467.0	55.9
0-60°	742.6	88.8
0-90°	835.9	100.0
90-180°	0	0.0
0-180°	835.9	100.0

**Candela Distribution**

Angle	Average Candelas
0°	395
5°	392
15°	372
25°	332
35°	275
45°	205
55°	130
65°	63
75°	19
85°	8

**Initial Footcandles**

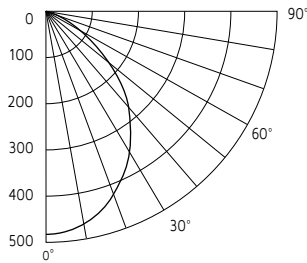


Distance to Illuminated Plane	Footcandles (at beam center)	Beam Diameter (feet)
2 feet	98.8	4.1
4 feet	24.7	8.1
6 feet	11.0	12.2
8 feet	6.2	16.3
10 feet	4.0	20.4

Photometrics Continued...

**PHOTOMETRIC DATA: CD56-30-WH**

**Photometric Diagram**



**CD56-30-WH Summary**

Test voltage:	120.05V
Luminous flux:	918.5Lm
Input power:	14.86W
Luminous efficacy:	61.81
Power factor:	0.900
Maximum intensity:	471.3cd
Beam angle:	87.1°
Spacing criteria:	0.92

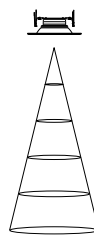
**Zonal Lumen Summary**

Zone	Lumens	%Fixture
0-30°	340.3	37.1
0-40°	530.2	57.7
0-60°	820.9	89.4
0-90°	918.5	100.0
90-180°	0	0.0
0-180°	918.5	100.0

**Candela Distribution**

Angle	Average Candelas
0°	471
5°	467
15°	434
25°	377
35°	303
45°	221
55°	134
65°	62
75°	22
85°	10

**Initial Footcandles**



Distance to Illuminated Plane	Footcandles (at beam center)	Beam Diameter (feet)
6 feet	13.1	11.4
7 feet	9.6	13.3
8 feet	7.4	15.2
9 feet	5.8	17.1
10 feet	4.7	19.0