

# NIVO SERIES DOWNLIGHT

## 120-277V Surface Mount Downlight

Ultra slim and modern sleek, the Nivo series downlight features an edgeless surface mount design that blends seamlessly into its surroundings. With uniform light output, the Nivo produces up to 1200 vivid lumens in a 3000K warm white color temperature. Available in two fixture sizes, 5" and 7", as well as a battery back-up option accessory for use in both residential and commercial applications.

- Modern low profile surface mount design
- Up to 1200 lumen output performance
- 3000K color temperature with 90+ CRI
- Available in 5" and 7" fixture sizes
- Mounts to most 40 & 30 octagonal/round junction boxes
- Battery back-up accessory available for Nivo 7 fixture
- Dimmable with most TRIAC / ELV or 0-10V dimmers
- cETLus Listed for wet locations
- 35,000 hours rated life - 5 Year Limited Warranty
- ENERGY STAR Certified



PROJECT:
TYPE:
LOCATION:
CATALOG NUMBER:



**NV5**



**NV7**



**NV7 BATTERY BACK-UP ACCESSORY**

### NIVO SERIES QUICK SPECS

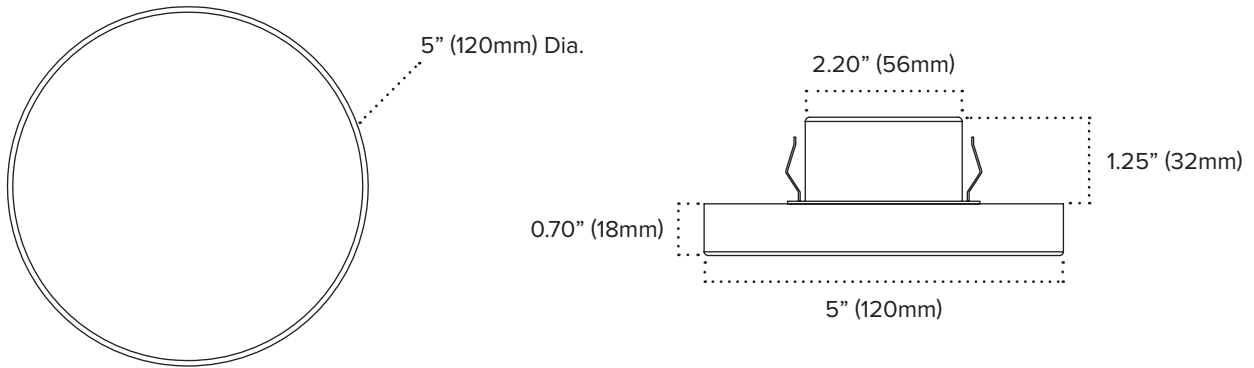
<b>VOLTAGE</b>	120-277V AC, 60Hz
<b>WATTAGE</b>	10W / 15W / 20W (Battery Back-up)
<b>LUMENS</b>	Up to 1200Lm
<b>CCT OPTIONS</b>	3000K
<b>CRI</b>	90+
<b>MOUNTING</b>	Surface mount - 40 Octagonal / 40 Round / 30 Round
<b>DIMMING</b>	TRIAC / ELV 10 - 100% / 0-10V Dimming
<b>BEAM ANGLE</b>	150°
<b>OPERATING TEMP</b>	-10°C (14°F) to 50°C (122°F)
<b>CERTIFICATIONS</b>	cETLus Listed / Energy Star Certified / Wet Location
<b>RATED LIFE</b>	35,000 Hours - 5 Year Limited Warranty

### NIVO SERIES ORDERING INFORMATION

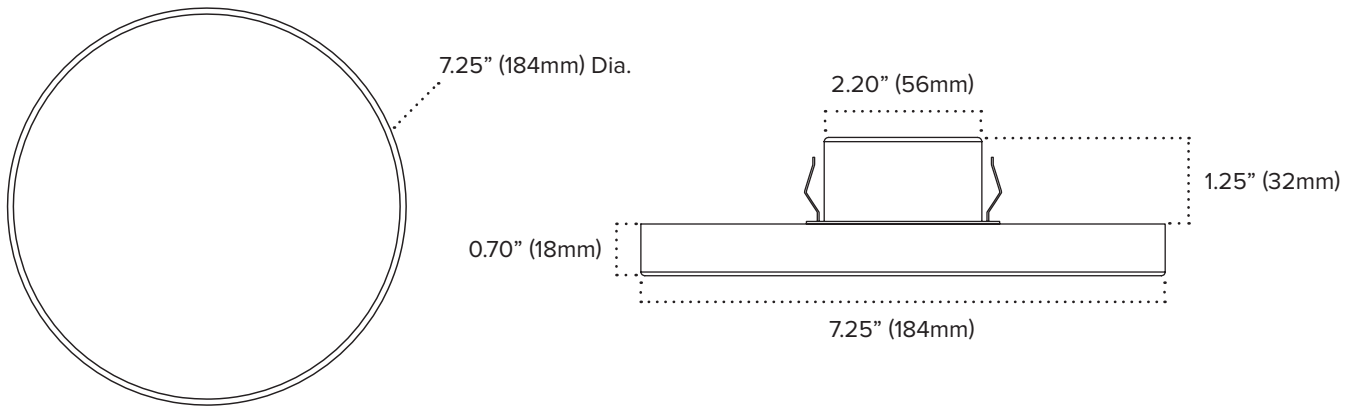
ITEM NUMBER	DESCRIPTION	FINISH	VOLTAGE	CCT	CRI	LUMENS	WATTAGE	DIMMING
<b>NV5-30-WH</b>	NIVO 5	White	120-227V	3000K	90+	750Lm	10W	TRIAC / ELV
<b>NV5-0/10V-30-WH</b>	NIVO 5	White	120-227V	3000K	90+	750Lm	10W	0-10V
<b>NV7-30-WH</b>	NIVO 7	White	120-227V	3000K	90+	1200Lm	15W	TRIAC / ELV
<b>NV7-0/10V-30-WH</b>	NIVO 7	White	120-227V	3000K	90+	1200Lm	15W	0-10V
<b>NV7-BB-WH</b>	NIVO 7 Battery Backup	White	120-227V	N/A	90+	N/A	20W	Non-dimmable

**NIVO SERIES DIMENSIONS**

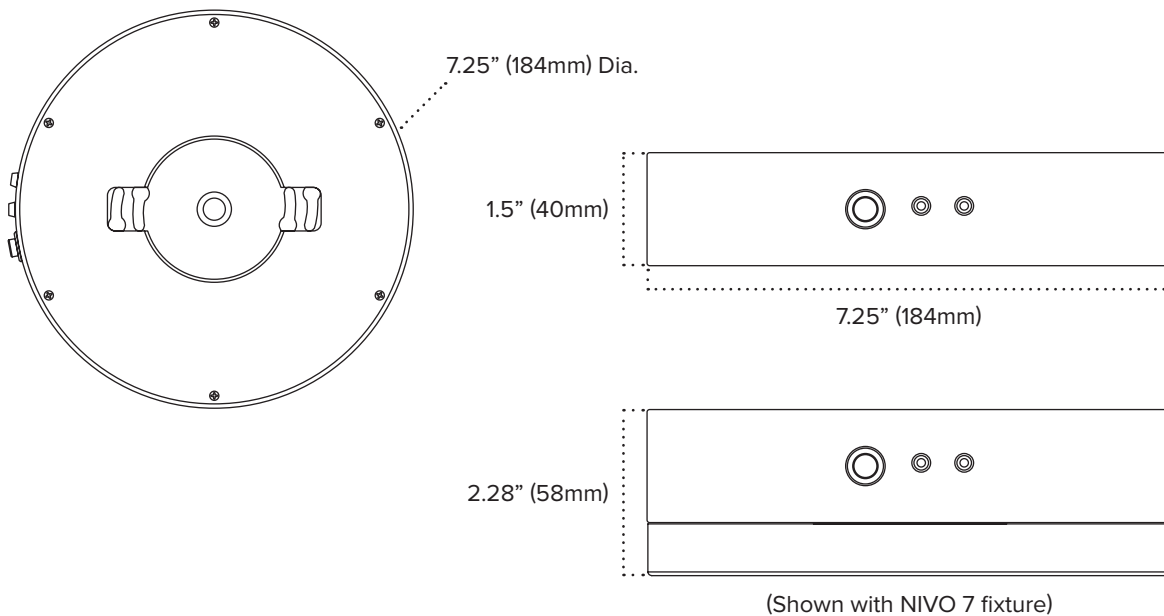
**NIVO 5**



**NIVO 7**



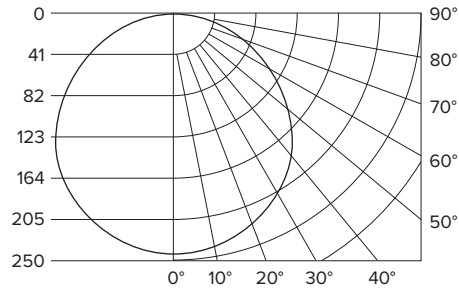
**NIVO 7 BATTERY BACKUP ACCESSORY**



**NIVO SERIES PHOTOMETRICS**

**NIVO 5**

<b>PART NUMBER</b>	NV5-30-WH
<b>BEAM SPREAD</b>	153.6°
<b>LUMENS</b>	751 Lm
<b>WATTAGE</b>	10W
<b>EFFICACY</b>	75.1 Lm/W
<b>CCT</b>	3000K
<b>CRI</b>	90+

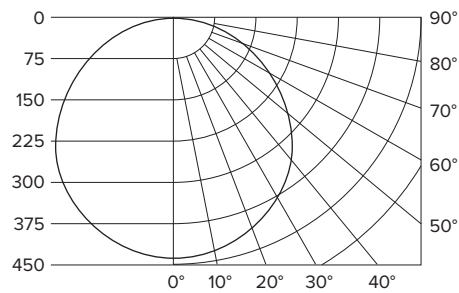


Foot Candles	Beam Dia.
14.5	4' 34.1'
6.5	6' 51.2'
3.6	8' 68.2'
2.3	10' 85.3'
1.6	12' 102.3'
1.2	14' 119.4'

Distance From Light

**NIVO 7**

<b>PART NUMBER</b>	NV7-30-WH
<b>BEAM SPREAD</b>	150.2°
<b>LUMENS</b>	1254 Lm
<b>WATTAGE</b>	15W
<b>EFFICACY</b>	83.6 Lm/W
<b>CCT</b>	3000K
<b>CRI</b>	90+



Foot Candles	Beam Dia.
26.8	4' 30.1'
11.9	6' 45.1'
6.7	8' 60.1'
4.6	10' 75.2'
3.0	12' 90.2'
2.2	14' 105.2'

Distance From Light

**NIVO SERIES RECOMMENDED DIMMERS FOR TRIAC/ELV**

BRAND	MODEL #	TYPE	DIMMING RANGE
LUTRON	DV-603PG	TRIAC	9% ~ 95%
LEGRAND	DVCL-153P	CL	5% ~ 100%
LEVITON	DV-600P	TRIAC	0% ~ 100%
LUTRON	DVLV-600P	MLV	10% ~ 100%

Dimmer performance may vary in field application due to unknown external factors. Dimmers not included on the chart above are not necessarily incompatible; they have yet to be fully evaluated. Please reference dimmer manufacturer's instructions for more detailed information regarding performance and compatibility. Test data listed above is based on single lamp data.

**NIVO SERIES RECOMMENDED DIMMERS FOR 0/10V**

BRAND	MODEL #	TYPE	DIMMING RANGE
LUTRON	RMJS-8T-DV-B	0-10V	5% - 100%
LEGRAND	RH4FBL3PW	0-10V	8% - 100%
LEVITON	IP710-DL	0-10V	8% - 100%
LUTRON	DVSTV-LA	0-10V	8% - 100%

Dimmer performance may vary in field application due to unknown external factors. Dimmers not included on the chart above are not necessarily incompatible; they have yet to be fully evaluated. Please reference dimmer manufacturer's instructions for more detailed information regarding performance and compatibility. Test data listed above is based on single lamp data.