

PROJECT: TYPE:

LOCATION: CAT:



Description

24V DC Driver + junction box combo in either 60W or 96W options

Features

- LED Phase dimming driver + junction box combo with aluminum housing in white finish
- Convenient On/Off switch
- (2) 1/2" knockouts and (2) 1/4" knockouts for ease of access
- Available in 60W or 96W options
- Class 2
- Forward Phase, MLV, and TRIAC dimming compatible

Mounting

Screw down mounting tabs to

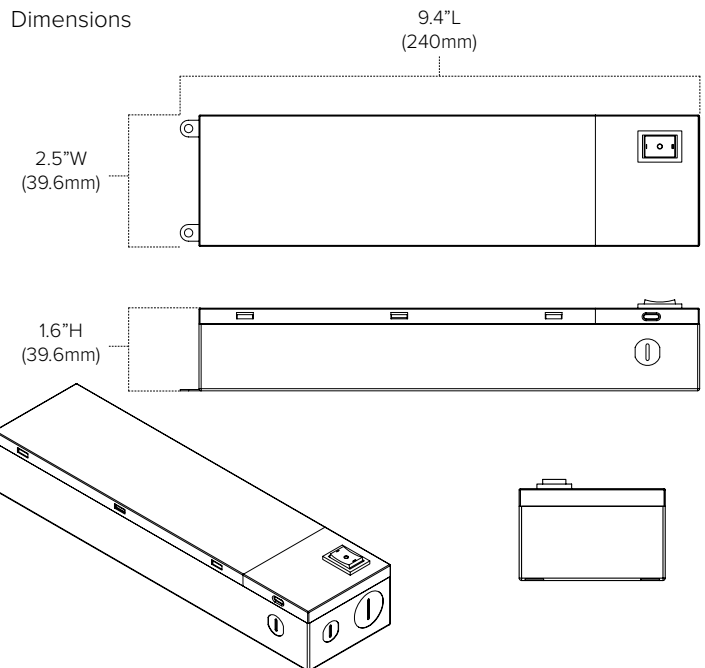
Applications

Suitable for LED lighting



Technical Information

Model	DRJ-BOX-60	DRJ-BOX-96
Output DC Voltage	24V DC	
Output Current at Max Load	2.5A	4.1A
Maximum Load	60W	96W
Minimum Load	2W	
Input Voltage Range	90-132V AC, 60Hz	
Input Current at Max Load	1A	1.4A
Frequency Range	60Hz	
Power Factor	PF>0.70	
Efficiency	>90%	
Over Current Protect	Yes	
Short Circuit Protect	Yes	
Over Voltage Protect	Yes	
Over Temp Protect	Yes	
Operating Temp	Ta: 45°C, Tc: 80°C	
Rating	Class 2; cETLus Listed, Dry & damp locations	



Ordering Information



DRJ-BOX Series includes:

- (1) LED Phase dimming driver + junction box combo
- (1) 1" Metal strain relief connector
- (4) Plastic strain relief connectors

Example Part # DRJ-BOX-96

