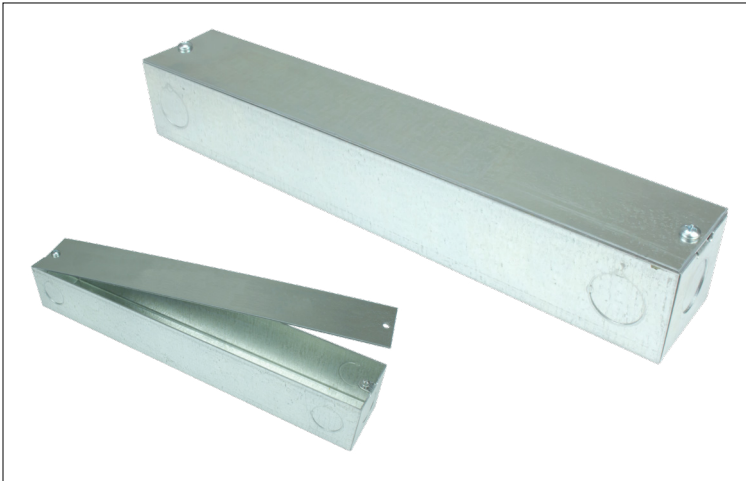


# ENCL-11 STEEL ENCLOSURE

PROJECT:  TYPE:

LOCATION:  CAT:



## Description

Galvanized steel enclosure with lid and 1/2" knockouts

## Features

- 18 gauge galvanized steel
- 8 total 1/2" knockouts
- Removable lid for ease of access

## Mounting

ENCL-11 has no mounting tabs and does not include any mounting hardware. Ideally, ENCL-11 should be placed on a shelf, cabinet, or other sturdy surface.

## Applications

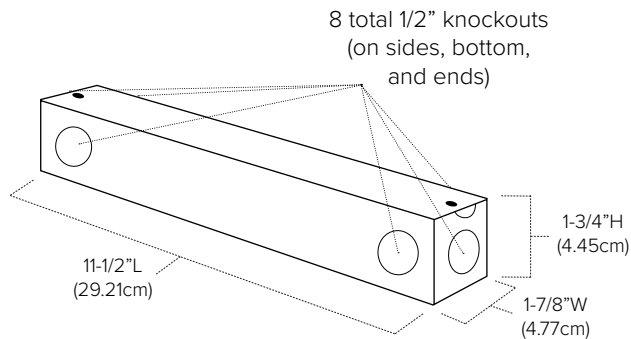
Use in dry locations to house 120V and low-voltage connections

## Warranty

5 years

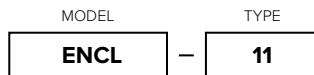
## Technical Information

### Profile Dimensions



## Ordering Information

**Galvanized  
Steel Enclosure**



### ENCL-11 includes:

(1) ENCL-11 Steel Enclosure

## Compatibility

### Compatible with the following drivers:

|             |                |               |
|-------------|----------------|---------------|
| LED-DR30-12 | LED-DR16-350   | LED-DR12-700  |
| LED-DR60-12 | LED-DR20-350   | LED-DR36-700D |
| LED-DR30-24 | LED-DR18-350D2 |               |
| LED-DR60-24 |                |               |