

PROJECT: TYPE:

LOCATION: CAT:



Satin Aluminum



White

Description

Low-voltage mini-recessed LED lights in two finish options with energy efficient LED Light and 92+CRI

Features

- Cast aluminum heat sink maximizes life of LEDs
- Smooth, frosted acrylic lens provides even distribution of light
- Adjustable 15° swivel lens
- IP40 Rated housing

Mounting

Recessed mount

Applications

Display shelves, under-cabinets

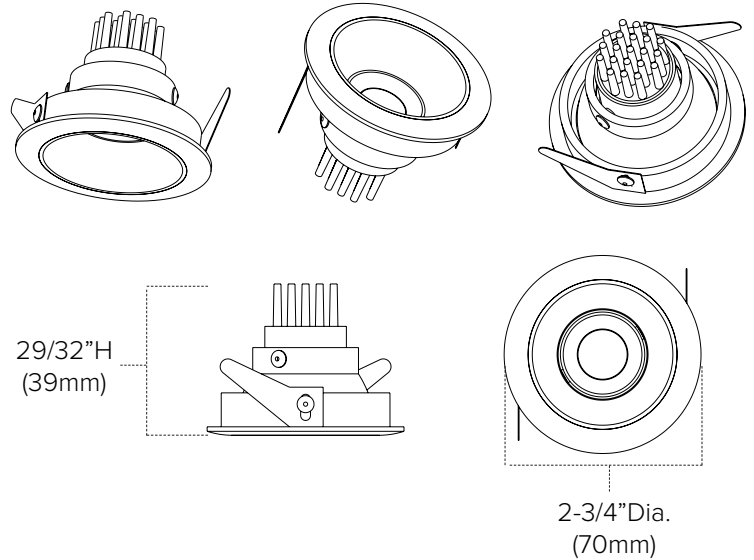
Warranty

3 years

Technical Information



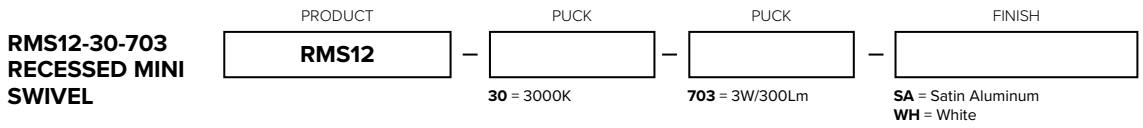
Voltage	12V DC
CCT	3000K
CRI	92+
Wattage	3.2W per puck
Lumens	156Lm
Max Run	Dependent upon capacity of driver
Beam Angle	45° reflector, 30° lens
Dimming	15-100% TRIAC/CL/ELV
Dimensions	Φ70mm × 39mm (2-3/4" Dia x 1-17/32"H)
Rating	Indoor, dry locations
Rated Life	35,000 Hours



Recommended Power Supplies

Part Number	Description	Application	Primary & Secondary	Total Wattage	Listing	Dimensions
PS-12-12VPI-T	Class 2 dimmable (with AL-PWM-6A sold separately) plug-in driver	Dry location	100-120V AC, 60Hz / 12V DC	12W	cETLus	6ft power cord with rocker switch; 6ft lead with 3-port terminal block; 4-11/16"x2-3/8"x11/16"
LED-DR30-12	Constant voltage hardwire driver	Dry location	100-240V AC / 12V DC	30W	cURus	6-1/2"x1-3/4"x1-3/16"
ADPT-DRJ-30-12	Constant voltage hardwire driver	Dry location	100-277V AC / 12VDC	30W	cULus	5-25/32"L x 3-5/8"W x 1-1/32"H

Ordering Information



Mini Recessed fixtures include:

Attached 22AWG 4-1/2" connection with 5-1/2" con-kit to bare wire lead

Additional Information

Model	Cut-out Size	Minimum Height Requirement	Location
RMS12-30-703	2-1/2" (63mm)	2-3/16"	Indoor, Dry location

NOTES
