

SGL4 ROUND STEP LIGHT

12V DC LED Step Lights

Easy to install with 12V DC operation, the SGL4 12V round series feature two size and recessed and surface mount installation. Each fixture includes both white and black faceplates for design options as well as easy to change faceplates featuring removable hood scoops.

- Available in 1" and 2" round trim sizes
- Includes both White and Black finish faceplates
- Dimmable 12V low voltage operation
- 3000K color temperature
- Removable twist off trim and hood scoops
- SGL4 2" can be recessed or surface mounted
- SGL4 1" recessed mount only
- cETLus Listed for indoor and outdoor use (IP65)
- 30,000 hours rated life

PROJECT:
TYPE:
LOCATION:
CATALOG NUMBER:



SGL4 1" ROUND STEP LIGHT



SGL4 ROUND SERIES QUICK SPECS

VOLTAGE	12V DC
WATTAGE	1W / 4W
LUMENS	Up to 18Lm (SGL4-RD1) / 110Lm (SGL4-RD2)
CCT OPTIONS	3000K
CRI	90+
BEAM ANGLE	30° (SGL4-RD1)
MOUNTING	Surface / Recessed Mount
RATING	cETLus Listed (Wet Location)
DIMMING	TRIAC (10-100%)
OPERATING TEMP	-10°C (14°F) to 60°C (140°F)
RATED LIFE	30,000 Hours



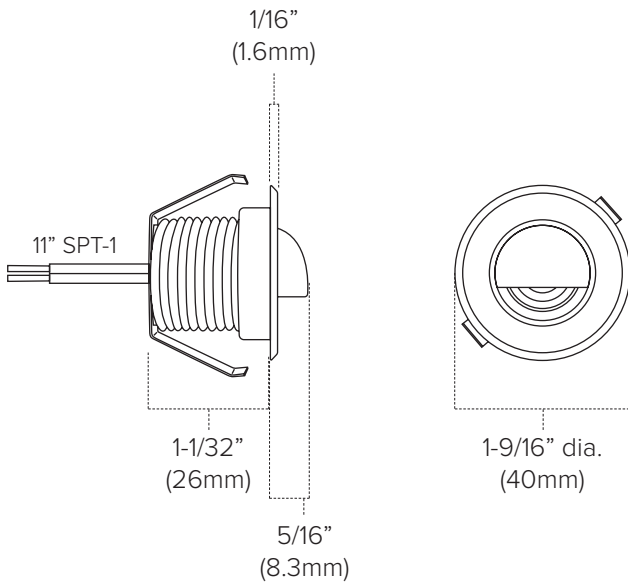
SGL4 2" ROUND STEP LIGHT

SGL4 ROUND SERIES ORDERING INFORMATION

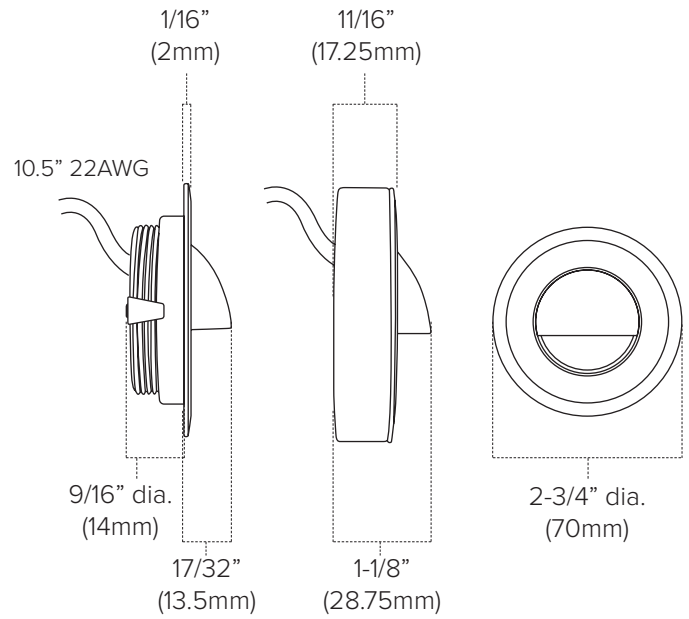
ITEM NUMBER	STYLE	WATTAGE	LUMENS	CCT	DIMMING
SGL4-12-30-RD1	1" Round Step Light	1W	15Lm (BK) / 18Lm (WH)	3000K	TRIAC (10-100%)
SGL4-12-30-RD2	2" Round Step Light	4W	70Lm (BK) / 110Lm (WH)	3000K	TRIAC (10-100%)

SGL4 ROUND SERIES QUICK DIMENSIONS

SGL4 1" ROUND STEP LIGHT



SGL4 2" ROUND STEP LIGHT



SGL4 ROUND SERIES CUT-OUT CHART

ITEM NUMBER	RECESSED HOLE SIZE	SURFACE MOUNT
SGL4-12-30-RD1	1-3/8" (35mm) Diameter	N/A
SGL4-12-30-RD2	2-1/4" (60mm) Diameter	20mm hole offset by 10mm of center