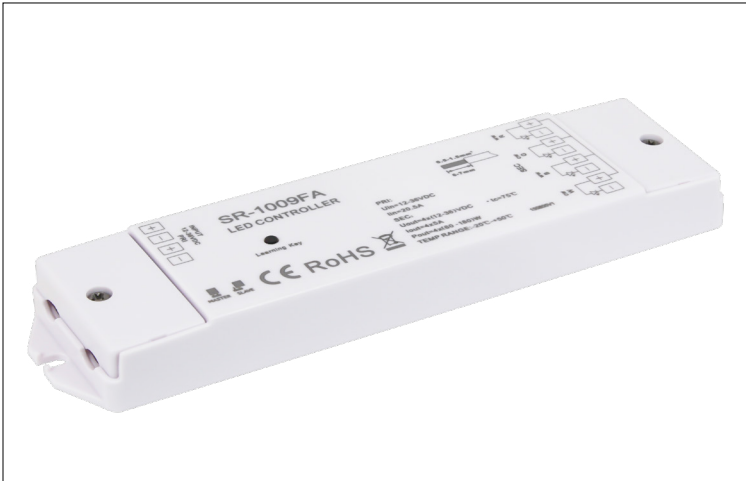




PROJECT: TYPE:

LOCATION: CAT:



Description

Trulux radio frequency receiver for use with Trulux RF controllers or Trulux WiFi Hub + Trulux App combo.

Features

- Multiple receivers can be 'taught' to respond to one Trulux controller using the built-in learning key
- Compatible with WiFi hub for multi-zone applications
- Up to 72 watts of single color tape light can be connected on each of four internal circuits on the secondary side (all will be single zone)
- Requires Trulux RF controller and 12-36V DC input (LED-DR series recommended, sold separately) for operation

Mounting

Surface mount to hard surface

Applications

Receiver for Radio Frequency signal from Trulux RF controller (sold separately)

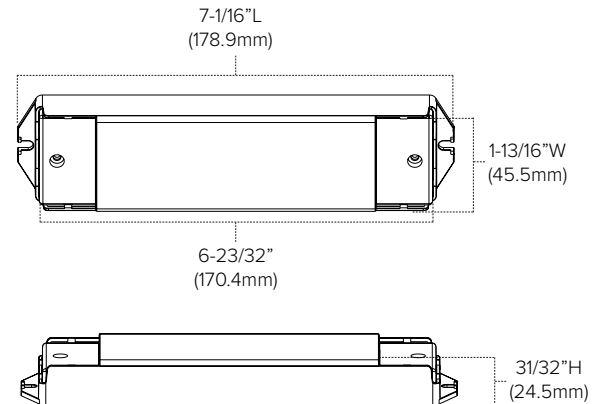
Technical Information



Input Voltage	12-36V DC - Constant Voltage
Input Current	20.5A maximum
Output Wattage	4 channels x (60-180)W
Output Current	4 channels x 5A
Temperature Range	-20°C to 50°C
Rating	FCC Compliant, RoHS Compliant, dry location

Receiver can be powered from secondary side of driver being used to power the controller and/or fixture.

Dimensions



Ordering Information

Trulux RF Receiver



REC-5A-4Z includes:

(1) Trulux RF Receiver
(requires 12-24V power supply & Trulux control)

Example Part # **REC-5A-4Z**

