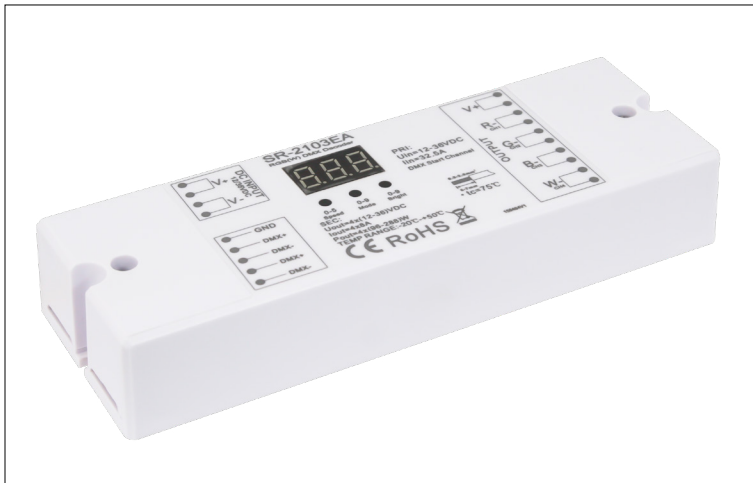




PROJECT: TYPE:

LOCATION: CAT:



Description

Trulux DMX Plus signal receiver/decoder for use with Trulux DMX controllers

Features

- One DMX control can ‘talk’ to multiple receivers when addressed properly; A separate receiver is required for each address
- Up to 288 watts can be connected on each of four internal circuits (each will be one address)
- Can switch between standalone mode and DMX mode via the buttons on the decoder; Under standalone mode, there are 9 pre-programmed effects with adjustable speed and brightness
- Requires 12-36V DC input (sold separately) and DMX controller (also sold separately, Trulux controllers recommended) for operation
- Suitable wire types for DMX output: 12-22AWG

Mounting

Surface mount to hard surface

Applications

Receiver for DMX signal from Trulux DMX controller for Trulux RGB, RGB+WW, or Tunable tape light

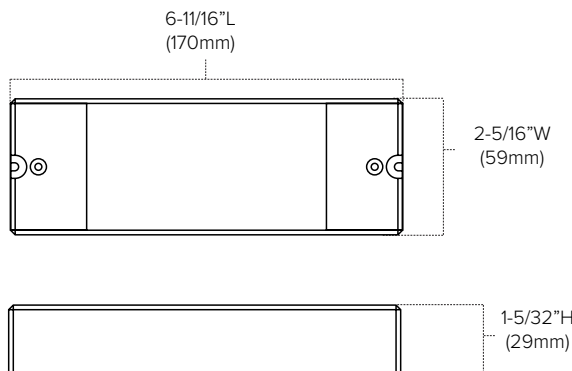
Technical Information



Input Voltage	12-36V DC - Constant Voltage
Input Current	32.5A maximum
Output Wattage	4 channels x (96-288)W
Output Current	4 channels x 8A
Temperature Range	-20°C to 50°C
Rating	FCC Compliant, RoHS Compliant, dry location

Receiver can be powered from secondary side of driver being used to power the controller and/or fixture.

Dimensions



Ordering Information

Trulux DMX Plus Receiver



REC-DMX-5A-4Z-PLUS includes:

(1) Trulux DMX Receiver
(requires 12-36V power supply & DMX controller)

Example Part # **REC-DMX-5A-4Z-PLUS**

