



PROJECT:

TYPE:

LOCATION:

CAT:



Satin Aluminum

**Description**

High power red, blue, and green LEDs combined with a durable aluminum housing rated for wet locations make this family of lighting tools perfect for high impact illumination, indoors or out.

**Features**

- High impact dynamic linear RGB wall washer
- Durable aluminum alloy housing with enamel finish and tempered glass lens are fully sealed for use in wet locations (IP65)
- Linear wall washers located end-to-end create even and powerful wall washing effects for high impact lighting that projects up to 65 feet
- Built-in driver and five foot grounded power cord simplify installation
- Integrated mounting holes in base/leg brackets with adjustable tilt design for installation flexibility
- 60,000 hours rated life

**Mounting**

Surface mount

**Applications**

Architectural and display lighting

## Technical Information



|               |  |
|---------------|--|
| Series        | WW-L48-RGB                             |
| Input Voltage | 120V AC, 60Hz                          |
| CCT           | RGB                                    |
| Wattage       | 45W                                    |
| Linkable      | Up to 30 fixtures                      |
| Beam Angle    | 25°                                    |
| Dimming       | Via standalone features or DMX control |
| Rating        | IP65, wet locations                    |
| Rated Life    | 60,000 Hours                           |

- Multiple fixtures can be controlled individually (must have access to all units) or synchronously (must have access to the first unit only) using built-in standalone features. To synchronize, all fixtures must be interconnected with their input and output data cables. The first unit will control all interconnected fixtures. The maximum number that can be interconnected with signal cables is thirty fixtures. See instructions for more details.
- An external controller (DMX-RGB-3, sold separately) can control all interconnected fixtures (up to thirty maximum) to have mixing levels at your fingertips and/or to use sound activation. See instructions for more details.
- A DMX hardware/software set up with a custom LLW48-RGB adapter cable (made to order, sold separately) is needed. See instructions for more details.

## Ordering Information

120V AC  
48" RGB  
Wall Washer

SERIES

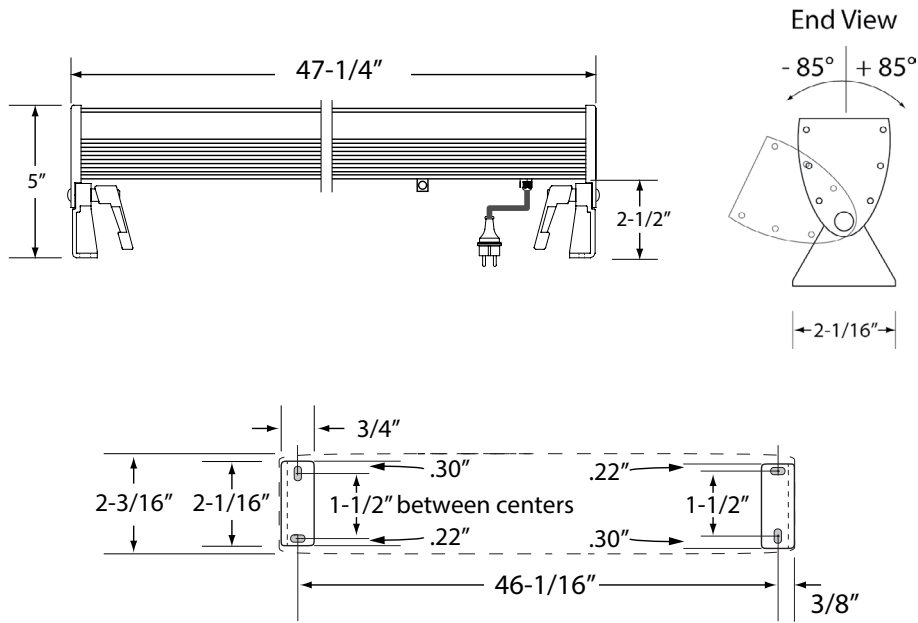
WW-L48

TYPE

RGB



Physical Dimensions



Mounting Hole Locations of Mounting Brackets  
Looking toward mounting surface through housing body

Accessories

| Part Number | Description                         |
|-------------|-------------------------------------|
| DMX-RGB-3   | 3-Channel DMX Controller            |
| WW-CON      | DMX Controller for LED Wall Washers |
| WW-EC15     | 15' signal cable                    |
| WW-END      | Signal termination end cap          |
| WW-XLR3     | 3ft DMX Adapter cable               |
| WW-XLR3-15  | 15ft DMX Adapter cable              |

NOTES

---



---



---



---



---